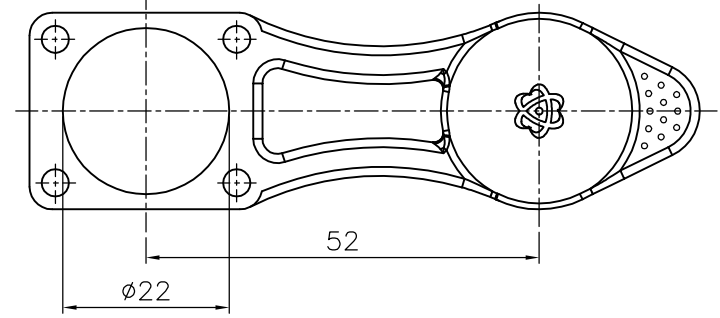
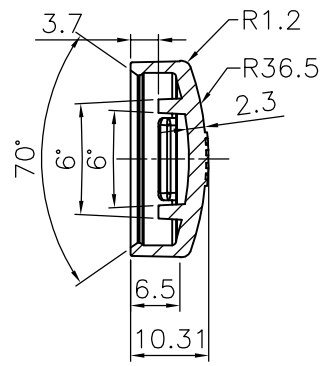
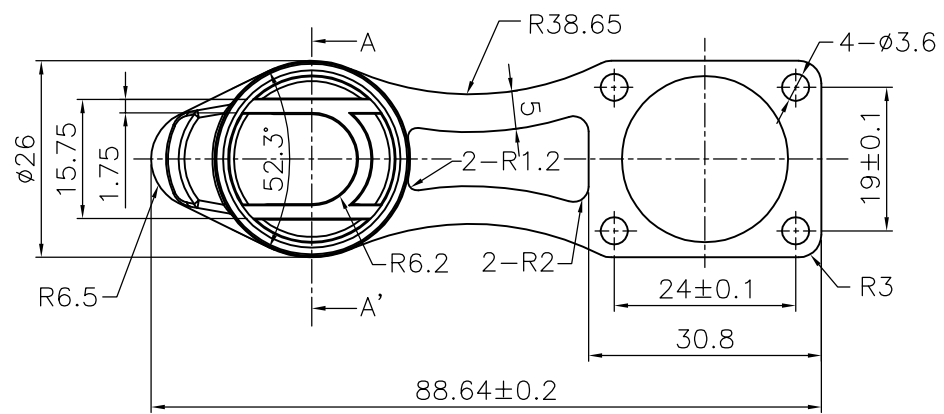
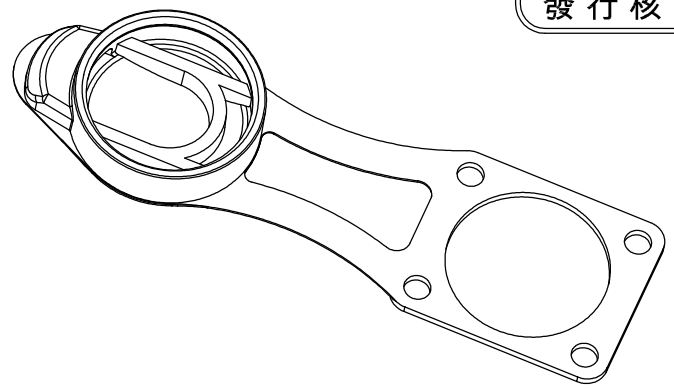
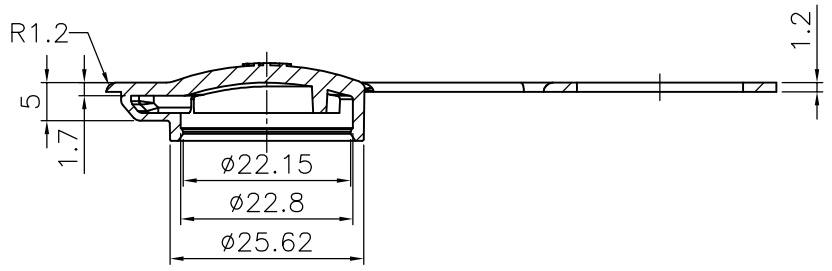


1 2 3 4 5 6 7 8

REVISIONS			
ISS	ZONE	DESCRIPTION	PER REQUEST\DATE
A2	C-8	增加防滑凸點	
V	OPEN	對客戶公開圖紙	
	OPEN	對供應商公開圖紙	
	CLOSED	僅限廠內使用	

台灣日昇電子股份有限公司
ISSUE APPROVED
 發行核可
本文件與簽核紙本正本相符



A-A' SECTION
(A-A' 剖面)

Note(備註):
 1. This dust proof cover is available for all D-type of XLR female socket and RJ45 socket.
 (此防塵蓋適用於所有D型XLR母插座和RJ45插座)

MATERIAL TPR	APPROVED <i>吳碧珊</i> DATE 2017-07-07		日昇電子股份有限公司 SUN RISE EXACT INDUSTRIAL CO.			
	CHECKED DATE		3rd ANGLE PROJECTION	SCALE 1/1	TOLERANCE ±0.1	
FINISH BLACK(黑色)	DRAWN <i>吳碧珊</i> DATE 2017-07-07		UNITS mm	ANGLES ±5°		
	FILE NO. D:\CAD\其他系列\4301090006_1CE0040 Dust cover_CA001A2		ERP LINK: 4301090006	PART NO. (防塵蓋) 1CE0040 Dust cover	REV. A2	

1 2 3 4 5 6 7 8

F
E
D
C
B
A

F
E
D
C
B
A