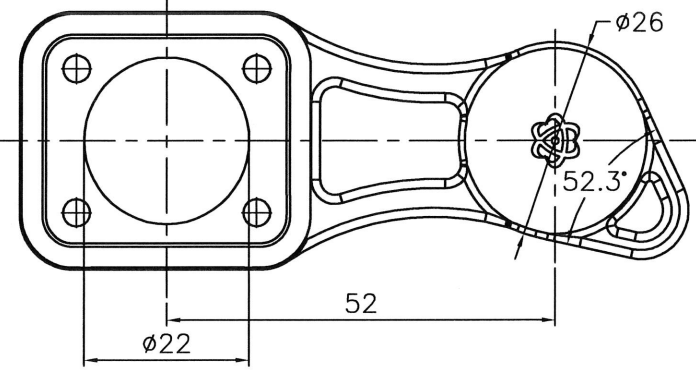
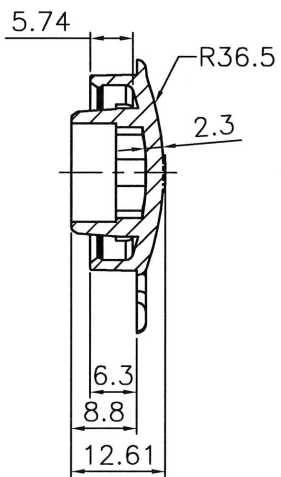
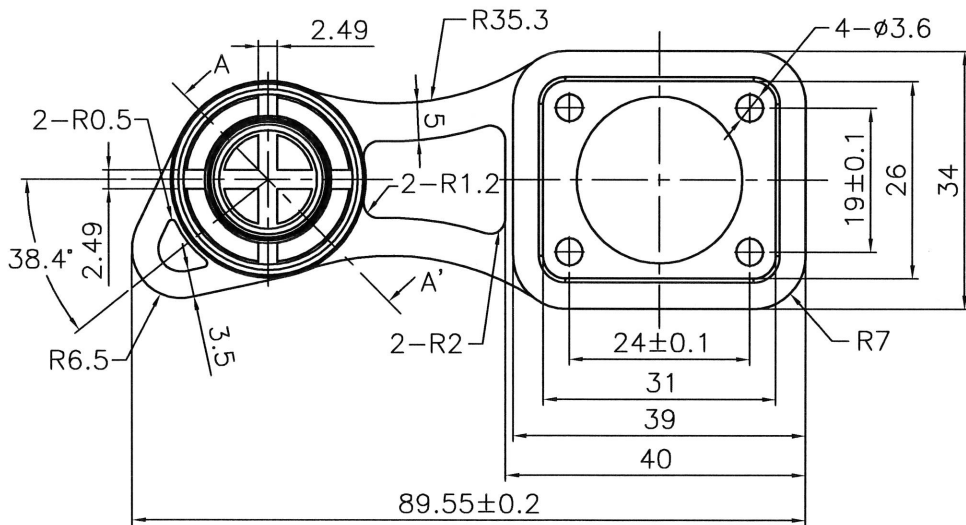
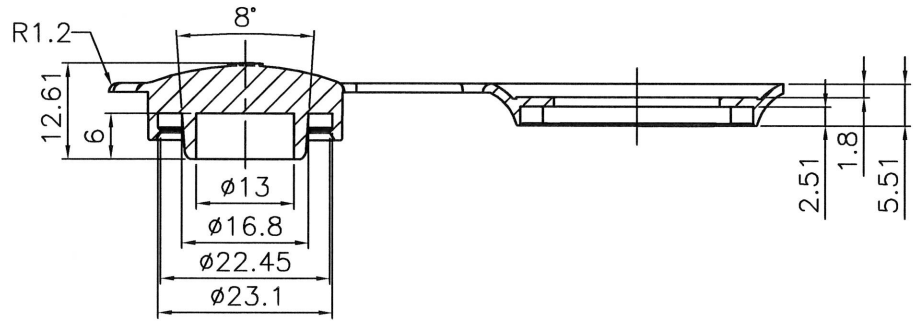
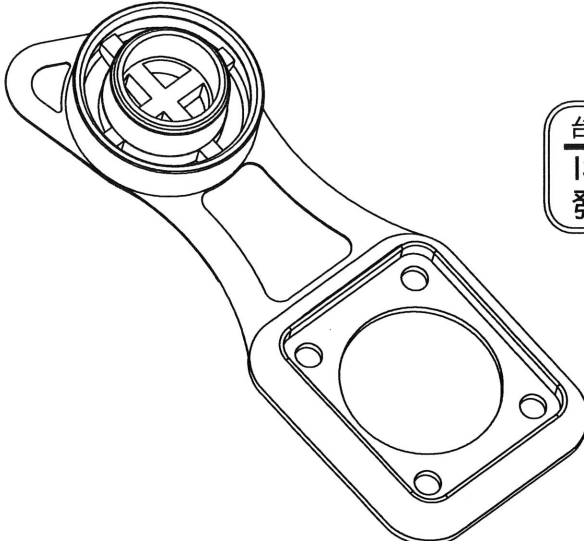


1 2 3 4 5 6 7 8

REVISIONS			
ISS	ZONE	DESCRIPTION	PER REQUEST\DATE
A2	A-7	修改品名、品號	
V	OPEN	對客戶公開圖紙	
	OPEN	對供應商公開圖紙	
	CLOSED	僅限廠內使用	

台灣日昇電子股份有限公司  
**ISSUE APPROVED**  
 發行核可 本文件與錄紙  
 紙本正本相符



Note(備註):  
 1. This dustproof cover is available for D-type XLR male socket, speaker socket and power socket.  
 (此防塵蓋適用於D型XLR公插座, 音箱插座和電源插座)

MATERIAL <b>TPR</b>	APPROVED <i>黃英碧</i> DATE 2018-04-11	日昇電子股份有限公司 SUN RISE EXACT INDUSTRIAL CO.	3rd ANGLE PROJECTION	SCALE	1/1	TOLERANCE	±0.1
	CHECKED DATE			UNITS	mm	ANGLES	±5°
FINISH <b>BLACK(黑色)</b>	DRAWN 吳碧珊 DATE 2018-04-11	PART NO. (防塵蓋) 1CE0041 Dust cover		REV. A2			
	FILE NO. D:\CAD\其他系列\4301090007_1CE0041 Dust cover_CA001A2 ERP LINK: 4301090007						

1 2 3 4 5 6 7 8