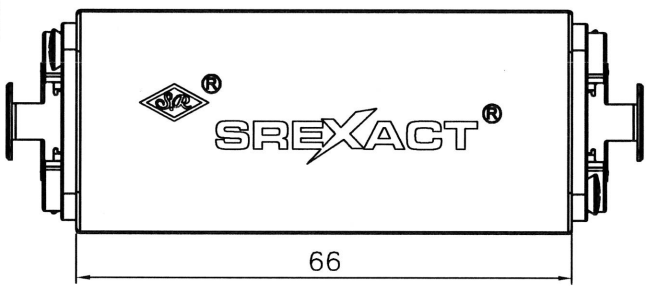
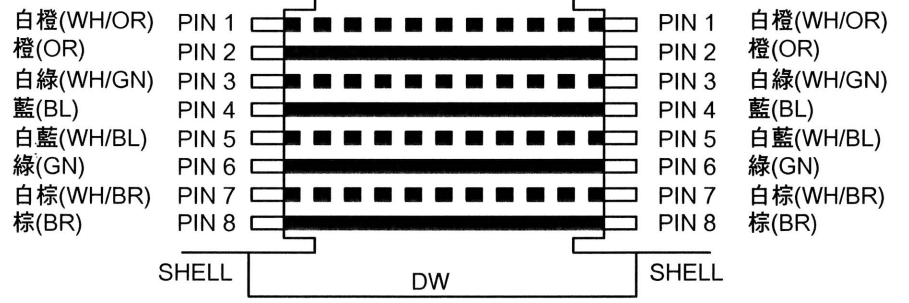
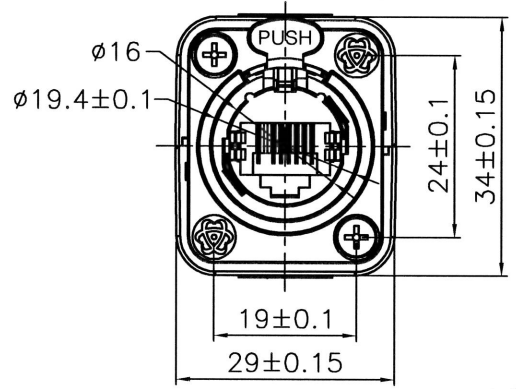
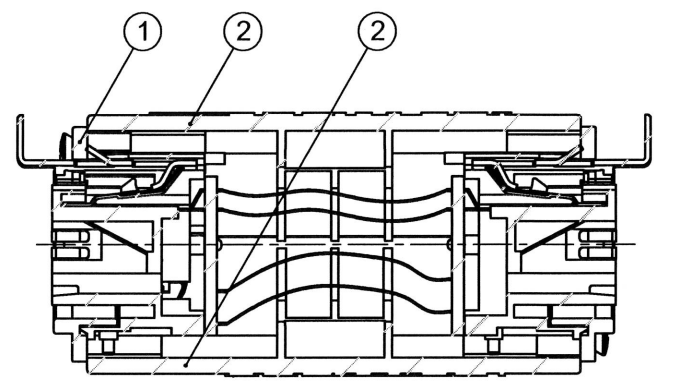
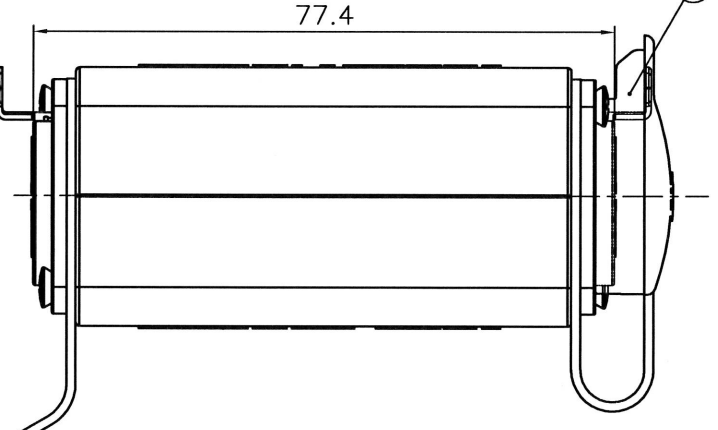


1 2 3 4 5 6 7 8

REVISIONS		
ISS	ZONE	DESCRIPTION\PER REQUEST\DATE
V	OPEN	對客戶公開圖紙
	OPEN	對供應商公開圖紙
	CLOSED	僅限廠內使用



台灣日昇電子股份有限公司
ISSUE APPROVED
 發行核可 本文件與繪紙
 紙本正本相符



Note(備註):
 1. Both sides of RJ45 connectors are attached the dust covers.
 (兩側RJ45座子皆附上防塵蓋)
 2. Both sides of the ground
 (雙邊接地)

NO.	DESCRIPTION	MATERIAL	FINISH	Q'TY	DRAWING NO.
3	防塵蓋(Dust cover) (1CE0040)	TPR	黑色(BLACK)	2	160020008
2	上 / 下蓋 (Top / bottom cover)	PA66	黑色(BLACK)	2	
1	RJ45 CONNECTOR		電泳黑(Electro-coating black)	2	

DIMENSIONS ARE IN MILLIMETERS		APPROVED <i>黃安均</i> DATE 2017-06-28
UNLESS OTHERWISE SPECIFIED TOLERANCES		CHECKED DATE
ANGLES = ±5°		DRAWN 吳碧珊 DATE 2017-06-28
UP TO 6 = ±0.2		
6-40 = ±0.4		FILE NO. D:\CAD\SV\P5113210001
40-120 = ±0.6		SVP595-FF-P_CA001A1
120-315 = ±1		ERP LINK: 5113210001
ABOVE 315 = ±1.6		
THIRD_ANGLE		
SCALE	1/1	

日昇電子股份有限公司 SUN RISE EXACT INDUSTRIAL CO.		TITLE	
		ETHERNET CAT5E RJ45 ADAPTOR WITH PLASTIC SHELL	
PART NO. SVP595-FF-P		REV.	A1

F
E
D
C
B
A

F
E
D
C
B
A

1 2 3 4 5 6 7 8