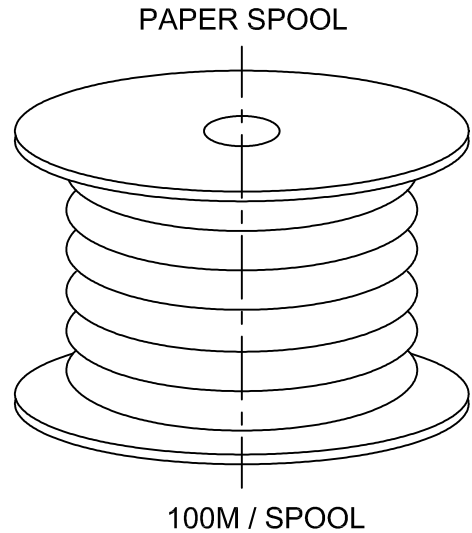
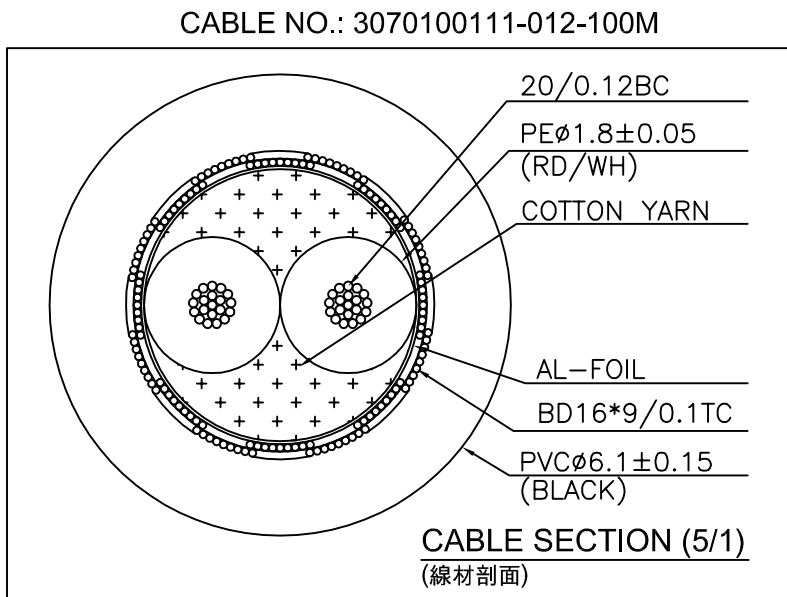




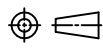
1 2 3 4 5 6 7 8

REVISIONS		
ISS	ZONE	DESCRIPTION\PER REQUEST\DATE
A2	C-3	修改線材規格,增加公差
V	OPEN	對客戶公開圖紙
	OPEN	對供應商公開圖紙
	CLOSED	僅限廠內使用

台灣日昇電子股份有限公司
ISSUE APPROVED
 發行核可 本文件與簽核紙本正本相符

DMX-512  PROFESSIONAL LIGHT CONTROL DOUBLE SHIELDED CABLE



MATERIAL	APPROVED  DATE 2019-03-20	 日昇電子股份有限公司 SUN RISE EXACT INDUSTRIAL CO.	3rd ANGLE PROJECTION 	SCALE	2/1	TOLERANCE	\pm 0.1
	CHECKED DATE			UNITS	mm	ANGLES	\pm 5°
FINISH	DRAWN 吳碧珊 DATE 2015-04-14	FILE NO. D:\CAD\線材系列\5501020230_6.1mm DMX CABLE 110 OHMS_CA001A2	ERP LINK: 5501020230	PART NO. 6.1mm DMX CABLE 110 OHMS		REV.	A2

1 2 3 4 5 6 7 8

F

F

E

E

D

D

C

C

B

B

A

A