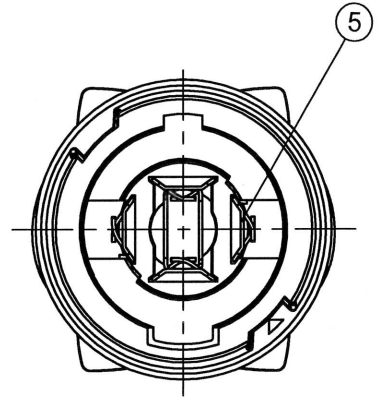
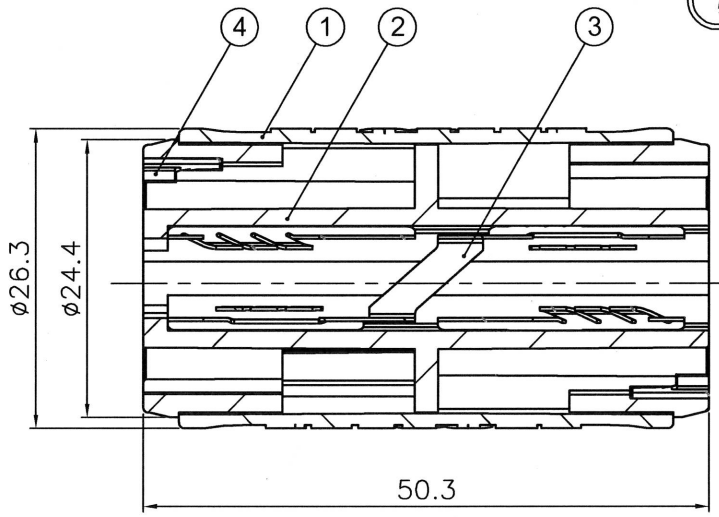
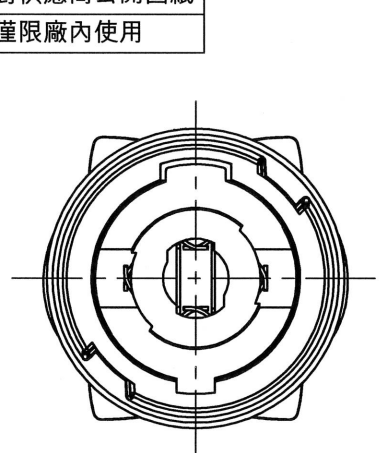
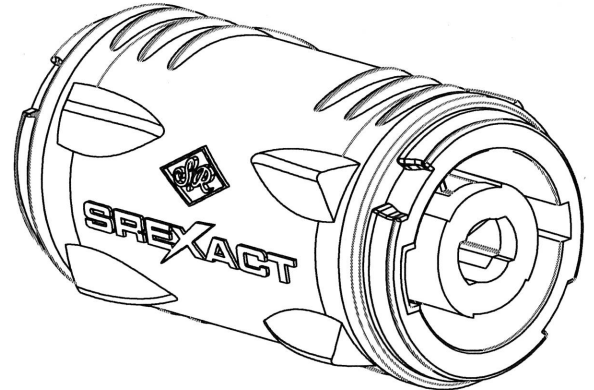
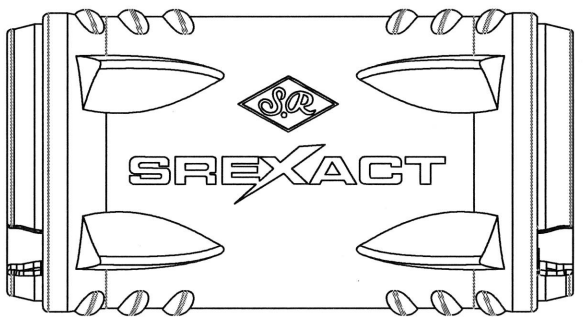


REVISIONS		
ISS	ZONE	DESCRIPTION\PER REQUEST\DATE
V	OPEN	對客戶公開圖紙
	OPEN	對供應商公開圖紙
	CLOSED	僅限廠內使用

台灣日昇電子股份有限公司
ISSUE APPROVED
 發行核可 本文件與簽核紙本正本相符



1	1
2	2
3	3
4	4
PIN DEFINE	
(針腳定義)	



NO.	DESCRIPTION	MATERIAL	FINISH	Q'TY	DRAWING NO.
5	直插針(TERMINAL)	PHOSPHOR BRONZE	鍍銀(SILVER)	2	3102010052
4	銅固定片(SHEET METAL)	PHOSPHOR BRONZE	鍍鎳(NICKEL)	2	3103040005
3	彎插針(TERMINAL)	PHOSPHOR BRONZE	鍍銀(SILVER)	2	3102010051
2	塑本體(PLASTIC BODY)	PA	黑色(BLACK)	1	4301040042
1	塑殼(PLASTIC SHELL)	PA	黑色(BLACK)	1	4301040043

DIMENSIONS ARE IN MILLIMETERS
 UNLESS OTHERWISE SPECIFIED
 TOLERANCES
 ANGLES = ±5°
 UP TO 6 = ±0.2
 6-40 = ±0.4
 40-120 = ±0.6
 120-315 = ±1
 ABOVE 315 = ±1.6

APPROVED *黃貴池* DATE 2016-12-06
 CHECKED _____ DATE _____
 DRAWN 吳碧珊 DATE 2016-12-06
 FILE NO. D:\CAD\IS\VP5115020069_SVP563MM-Q_CA001A1
 ERP LINK: 5115020069

SUNRISE 日昇電子股份有限公司
 SUN RISE EXACT INDUSTRIAL CO.
 TITLE 4P DUAL MALE SPEAKER ADAPTOR WITH METAL FLANGE
 PART NO. SVP563MM-Q REV. A1