

REVISIONS		
ISS	ZONE	DESCRIPTION\PER REQUEST\DATE
A2	E-2	增加▼箭頭辨識,增加備註2
F	V	對客戶公開圖紙
	OPEN	對供應商公開圖紙
	CLOSED	僅限廠內使用

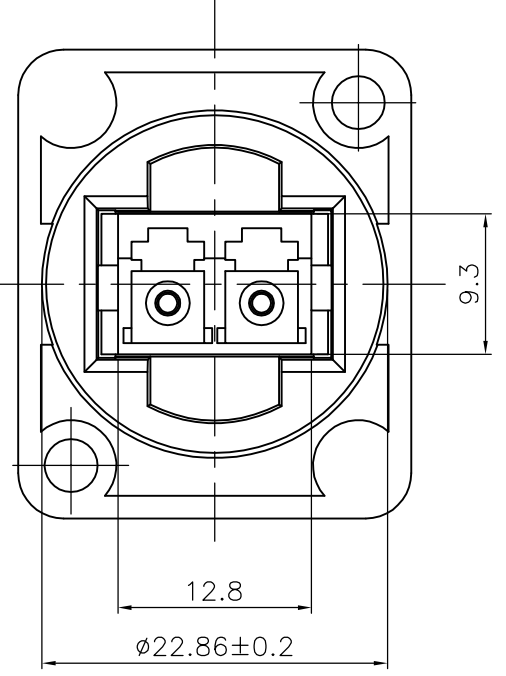
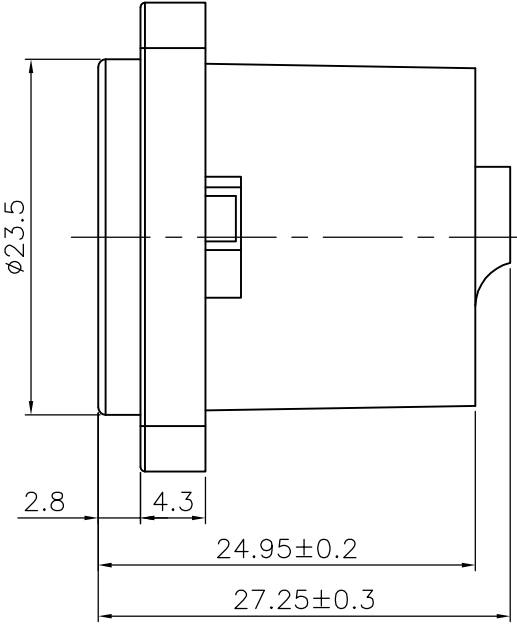
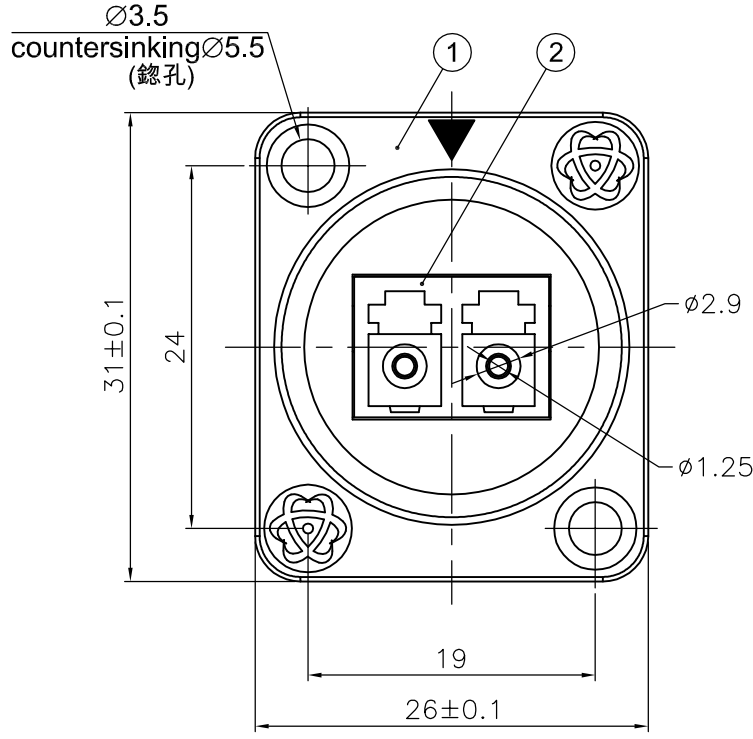
Notes(備註):

1. Fiber optic adapter will be used two dust plug in the front and back for dustproof.
(光纖轉接頭上前後各使用兩個防塵塞,防塵用)
2. Use the mark of arrow to identify the install direction, which must be same as the drawing.
(利用箭頭辨識安裝方向,需與圖紙相同)



F
E
D
C
B
A

F
E
D
C
B
A



ERP LINK	Part No.	Description(敘述)
5126010001	SVP600-MM	Multi-Mode -- Beige(米色多模光纖)
5126010002	SVP600-SM	Single Mode -- Blue(藍色單模光纖)

DIMENSIONS ARE IN MILLIMETERS UNLESS OTHERWISE SPECIFIED TOLERANCES ANGLES = ±5° UP TO 6 = ±0.2 6-40 = ±0.4 40-120 = ±0.6 120-315 = ±1 ABOVE 315 = ±1.6	APPROVED	DATE
	CHECKED	DATE
	DRAWN	DATE
	FILE NO.	D:\CADI\SVP\5126010001 / 02\ SVP600-MM / SM_CA001A1



日昇電子股份有限公司
SUN RISE EXACT INDUSTRIAL CO.

NO.	DESCRIPTION	MATERIAL	FINISH	Q'TY	DRAWING NO.
2	LC光纖轉接頭 (LC ADAPTOR)		藍色(BLUE) 米色(BEIGE)	1 1	1305020005 1305020006
1	塑座(PLASTIC BASE)	PA	黑色(BLACK)	1	4301030033

TITLE
OPTICAL FIBER LC PANEL MOUNT CONNECTOR

THIRD_ANGLE	2/1	ERP LINK:	5126010001 / 02
SCALE	2/1		

PART NO.	SVP600-MM / SM	REV.	A2
----------	----------------	------	----