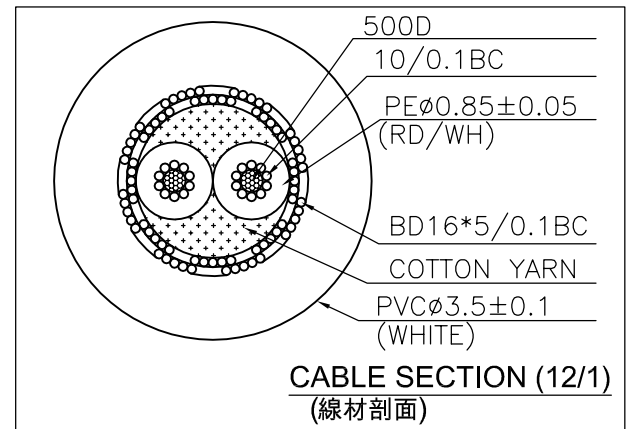
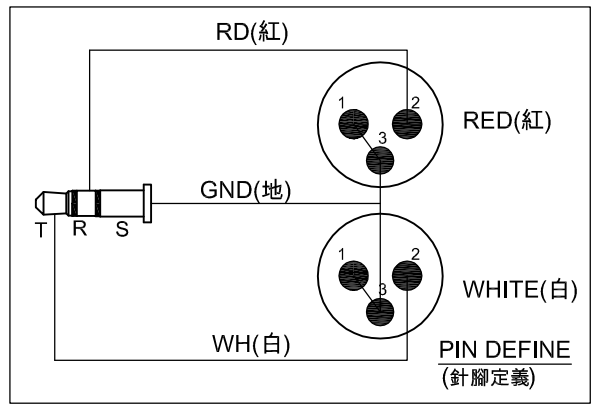


台灣日昇電子股份有限公司
ISSUE APPROVED
 發行核可
本文件與審核紙本正本相符

REVISIONS		
ISS	ZONE	DESCRIPTION\PER REQUEST\DATE
A2	D-4	增加線材長度2M
V	OPEN	對客戶公開圖紙
	OPEN	對供應商公開圖紙
	CLOSED	僅限廠內使用



CABLE NO.: 4101020313
(307010074W-00)



ERP link (品號)	Part No. (品名)
5222020162	SC436S-G1-YXQ-2M
5222020148	SC436S-G1-YXQ-5M

Note(備註):
 1.分叉端線材處理:
 接珠頭的用白色(White)線,紅色(Red)剪斷
 接中端的用紅色(Red)線,白色(White)剪斷

DIMENSIONS ARE IN MILLIMETERS UNLESS OTHERWISE SPECIFIED TOLERANCES ANGLES = ±5° UP TO 6 = ±0.2 6-40 = ±0.4 40-120 = ±0.6 120-315 = ±1 ABOVE 315 = ±1.6	APPROVED	DATE
	CHECKED	DATE
	DRAWN	DATE
	FILE NO.	D:\CAD\ISC\5222020148_SC436S-G1-YXQ-5M_CA001A2
THIRD_ANGLE	☉	ERP LINK: 5222020148
SCALE	1/1	

	日昇電子股份有限公司 SUN RISE EXACT INDUSTRIAL CO.	
	TITLE 3.5mm STEREO PHONE PLUG TO 2x XLR MALE + 3070100074W Y-TYPE CABLE ASSEMBLY(L=2M/5M)	
PART NO.	SC436S-G1-YXQ-5M	REV. A2