

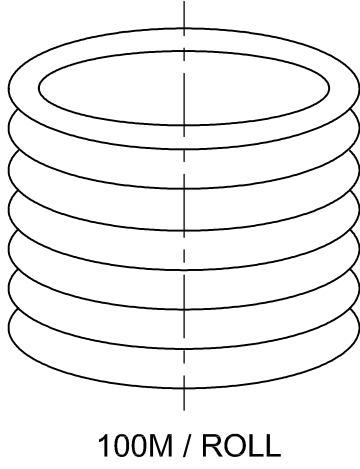
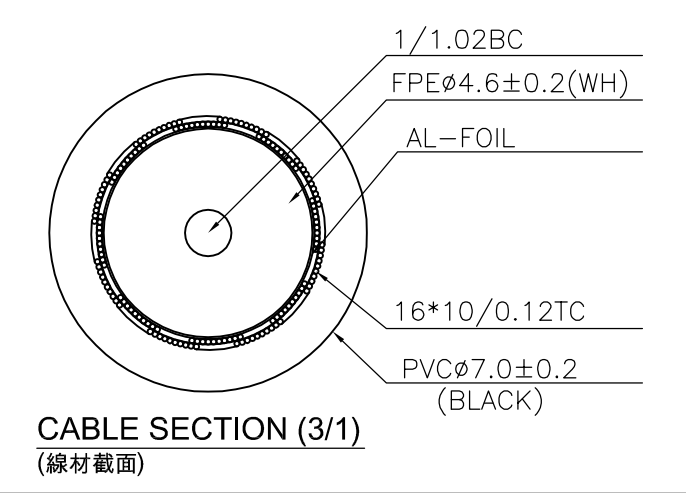
1 2 3 4 5 6 7 8

REVISIONS		
ISS	ZONE	DESCRIPTION\PER REQUEST\DATE
V	OPEN	對客戶公開圖紙
	OPEN	對供應商公開圖紙
	CLOSED	僅限廠內使用

台灣日昇電子股份有限公司
ISSUE APPROVED
 發行核可
本文件與簽核紙本正本相符

BREXACT 75Ω COAXIAL 3GHz HD-SDI CABLE

CABLE NO.:3071200034-011-100M



Note(備註):
 1. This cable supports 3G HD-SDI point-to-point ≤ 50M transmission.
 (此線纜支持3G HD-SDI點對點 ≤ 50M傳輸)

MATERIAL	APPROVED <i>黃碧珊</i> DATE 2019-04-24		日昇電子股份有限公司 SUN RISE EXACT INDUSTRIAL CO.			
	CHECKED DATE		3rd ANGLE PROJECTION	SCALE 2/1	TOLERANCE ±0.1	
FINISH	DRAWN 吳碧珊 DATE 2019-04-24		UNITS mm	ANGLES	±5°	
	FILE NO. D:\CAD\線材系列\5512010055_7.0mm HD-SDI coaxial cable_CA001A1		PART NO. (同軸線) 7.0mm HD-SDI coaxial cable			
	ERP LINK: 5512010055		REV. A1			

1 2 3 4 5 6 7 8

F
E
D
C
B
A

F
E
D
C
B
A