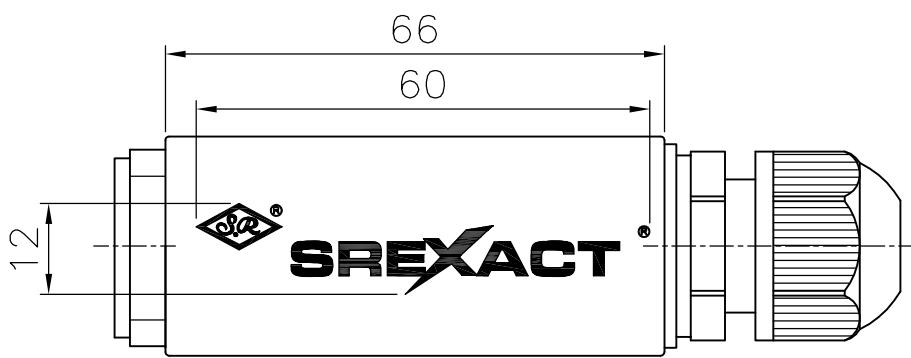
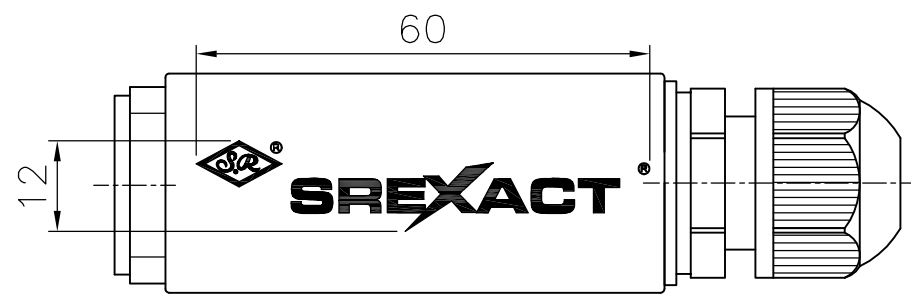
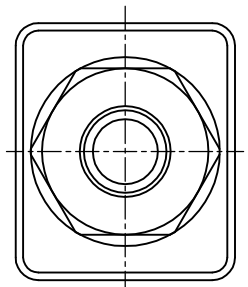
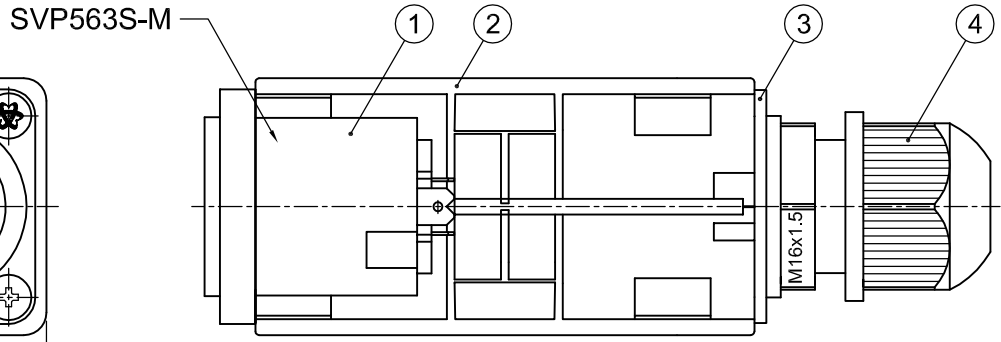
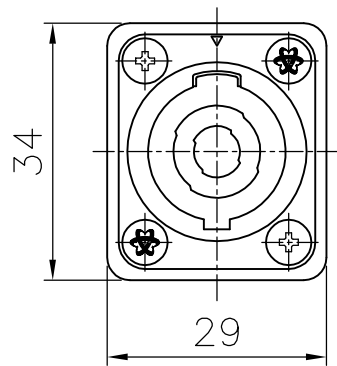


REVISIONS		
ISS	ZONE	DESCRIPTION\PER REQUEST\DATE
V	OPEN	對客戶公開圖紙
	OPEN	對供應商公開圖紙
	CLOSED	僅限廠內使用

台灣日昇電子股份有限公司  
**ISSUE APPROVED**  
 發行核可  
本文件與發核紙正本相符



Top cover printing  
(上蓋印字圖示)



Bottom cover printing  
(下蓋印字圖示)

Note(備註):

1. LOGO: **SREXACT**  
 Text: INK / White (油墨印字/白色)  
 印字方向與尺寸須與圖紙相同(印字圖示)  
 請注意盒子上下蓋都有印字
2. Available for OD.: 5~10mm  
 (適用於5~10mm線徑)

NO.	DESCRIPTION	MATERIAL	FINISH	Q'TY	DRAWING NO.
4	PLASTIC GLAND (塑膠固定頭) M16x1.5		黑色(BLACK)	1	1209100054
3	METAL PANEL (金屬面板)	IRON	噴塑黑(Powder coated black)	1	1407010100
2	TOP / BOTTOM COVER (上/下蓋)	PA66	黑色(BLACK)	2	4301040038
1	SPEAKER MALE CONNECTOR	PA66		1	4401150003 (SVP563S-M)

DIMENSIONS ARE IN MILLIMETERS	
UNLESS OTHERWISE SPECIFIED TOLERANCES	
ANGLES	= ±5°
UP TO 6	= ±0.2
6-40	= ±0.4
40-120	= ±0.6
120-315	= ±1
ABOVE 315	= ±1.6
THIRD_ANGLE	
SCALE	1/1

APPROVED		DATE	2020-12-22
CHECKED		DATE	
DRAWN	吳碧珊	DATE	2020-12-17
FILE NO.	D:\CADI\SVP563\5115020072_ SVP563L-M-P_CA001A1		
ERP LINK:	5115020072		

	日昇電子股份有限公司 SUN RISE EXACT INDUSTRIAL CO.	
	TITLE 4PIN MALE SPEAKER CONNECTOR SOLDER TYPE, OD.: 5~10MM	
PART NO.	SVP563L-M-P	REV. A1

F

E

D

C

B

A

F

E

D

C

B

A