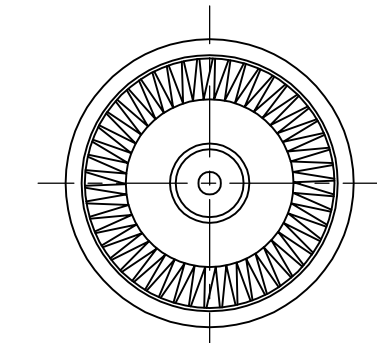


REVISIONS		
ISS	ZONE	DESCRIPTION\PER REQUEST\DATE
A4	A-1	修改外殼材質, 14.4±0.2; 54.5改為14±0.3; 53.6±0.5
V	OPEN	對客戶公開圖紙
	OPEN	對供應商公開圖紙
	CLOSED	僅限廠內使用

台灣日昇電子股份有限公司
ISSUE APPROVED
 發行核可 本文件與簽核紙正本相符

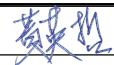
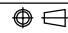


Notes(備註):

- Suitable for OD:6.0, exclude cover tail could be OD:7.0
(適用OD.: 6.0, 不含尾套可用到OD.: 7.0)
- Package with S.R logo
(包裝為帶有S.R logo包裝袋)

ERP link(品號)	Part No.(品名)	Boot color(尾套顏色)
5107010067	SP110AM-G-C81-BK-SR	Black(黑色)
5107010068	SP110AM-G-C81-RD-SR	Red(紅色)

NO.	DESCRIPTION	MATERIAL	FINISH	Q'TY	DRAWING NO.
4	尾套(BOOT)	PVC	紅/黑 (RD/BK)	1	1601100161 / 62
3	塑管(PLASTIC TUBE)	P.P.		1	
2	外殼(SHELL)	ZINC ALLOY	電泳黑 (Electro-coating black)	1	
1	3.5mm PLUG		鍍金(GOLD)	1	

DIMENSIONS ARE IN MILLIMETERS		APPROVED  DATE 2020-05-21
UNLESS OTHERWISE SPECIFIED TOLERANCES		CHECKED _____ DATE _____
ANGLES = ±5°		DRAWN 吳碧珊 DATE 2020-05-21
UP TO 6 = ±0.2		FILE NO. D:\CAD\SP\5107010067_
6-40 = ±0.4		SP110AM-G-C81-BK-SR_CA001A4
40-120 = ±0.6		THIRD_ANGLE 
120-315 = ±1		ERP LINK: 5107010067
ABOVE 315 = ±1.6		SCALE 3/1

 日昇電子股份有限公司 SUN RISE EXACT INDUSTRIAL CO.		TITLE	
		3.5mm MINI PHONE PLUG, ELECTRO-COATING BLACK	
PART NO.		REV.	
SP110AM-G-C81-BK-SR		A4	