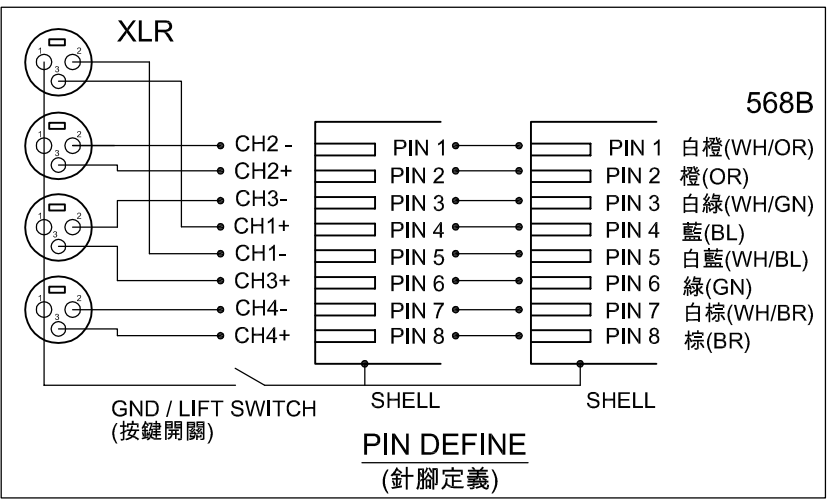
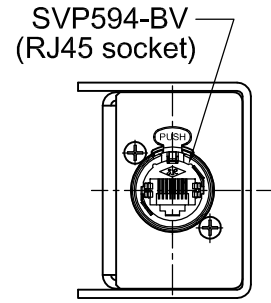
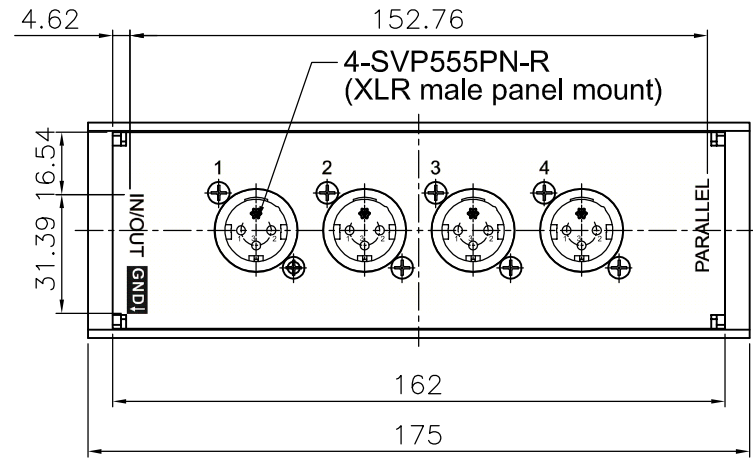
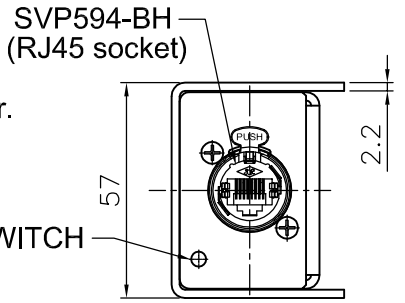


REVISIONS		
ISS	ZONE	DESCRIPTION\PER REQUEST\DATE
V	OPEN	對客戶公開圖紙
	OPEN	對供應商公開圖紙
	CLOSED	僅限廠內使用

台灣日昇電子股份有限公司
ISSUE APPROVED
 發行核可
本文件與簽核紙本正本相符



Note(備註):
 1. Box material: Aluminum
 Surface treatment: Black oxidation
 All printing trademark is carved by laser.
 (盒體材質: 鋁,
 表面處理: 黑色氧化處理
 所有印字均為雷射印字)



DIMENSIONS ARE IN MILLIMETERS UNLESS OTHERWISE SPECIFIED TOLERANCES ANGLES = ±5° UP TO 6 = ±0.2 6-40 = ±0.4 40-120 = ±0.6 120-315 = ±1 ABOVE 315 = ±1.6	APPROVED <i>黃其哲</i> DATE 2019-04-29	日昇電子股份有限公司 SUN RISE EXACT INDUSTRIAL CO.	TITLE NETWORK SOCKET RJ45 TO 4x MALE XLR DMX CONVERTER	
	CHECKED DATE			
	DRAWN 吳碧珊 DATE 2019-04-22	PART NO. SGB-RZ4M		REV. A1
	FILE NO. D:\CAD\ISGB\5204010354_ SGB-RZ4M_CA001A1	ERP LINK: 5204010354		
THIRD_ANGLE				
SCALE	1/2			