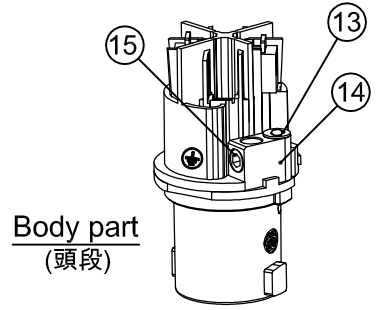
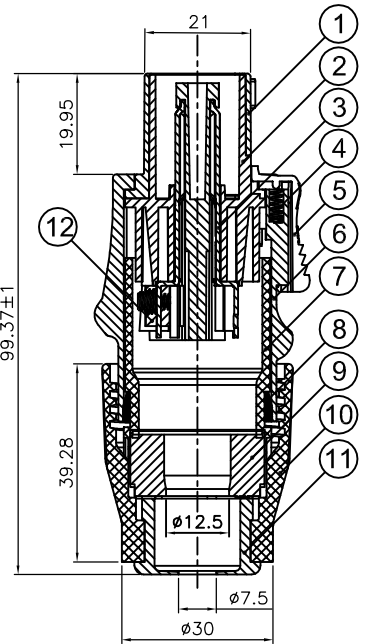


REVISIONS		
ISS	ZONE	DESCRIPTION\PER REQUEST\DATE
V	OPEN	對客戶公開圖紙
	OPEN	對供應商公開圖紙
	CLOSED	僅限廠內使用

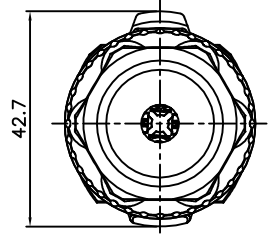
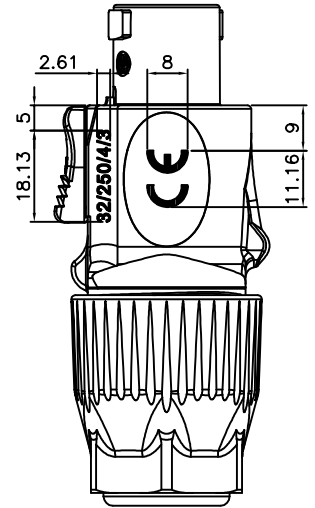
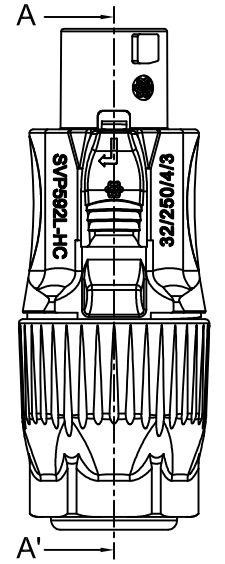
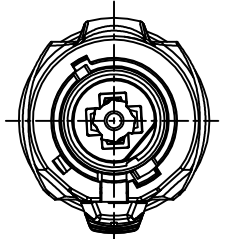
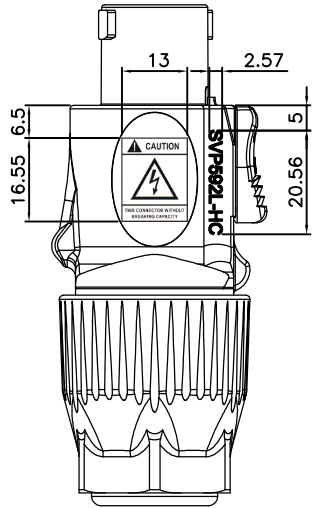
Note(備註):
 1. To enhance the phase marking, the ground wire will be pointed with green paint. The "N" wire will be painted white.
 (地線增加綠色點漆, N相白色點漆, 加強相線標示)



Body part
(頭段)



A-A section
(A-A剖面)



PA66 is the material with flame retardant grade.
 (PA66均為阻燃等級材質)

15	螺絲(SCREW)	Q235	鍍鎳(NICKEL)	2	1406020104
14	異形銅(SLEEVE)	H59-1	鍍鎳(NICKEL)	1	3103050013
13	內六角螺絲(INNER HEX.)	Q235	鍍鎳(NICKEL)	2	1406020103
12	異形銅(SLEEVE)	H59-1	鍍鎳(NICKEL)	2	3103050013
11	尾套(BOOT)	NBR	黑色(BLACK)	1	1209080034
10	螺套(CAP)	PA66	黑色(BLACK)	1	4301060110
9	防水圈(WATERPROOF)	SILICON	線徑:Ø8~12.5 線徑:Ø12~16.5	1+1	1209100025 1209100026
8	密封圈(SEALING RING)	SILICON	黑色(BLACK)	1	1209100024
7	夾線爪(CHUCK)	PA6	灰白色 (ASH GREY)	1	4301070013
6	塑殼(PLASTIC SHELL)	PA66	黑色(BLACK)	1	4301040060
5	按鍵(PUSH BUTTON)	ZZnAl4-1	鍍鎳(NICKEL)	1	3103040163
4	彈簧(SPRING)	70#	Ø2.4xØ1.8x9.5	1	1404010010
3	插針(PIN)	PHOSPHOR BRONZE	鍍銀(SILVER)	2	3102010066
2	塑本體(PLASTIC BODY)	PA66	黑色(BLACK)	1	4301040061
1	鋅殼 (DIE CAST SHELL)	ZZnAl4-1	鍍鎳(NICKEL)	1	3103040162
NO.	DESCRIPTION	MATERIAL	FINISH	Q'TY	DRAWING NO.

台灣日昇電子股份有限公司
ISSUE APPROVED
 發行核可 本文件與簽核紙本正本相符

DIMENSIONS ARE IN MILLIMETERS
 UNLESS OTHERWISE SPECIFIED
 TOLERANCES
 ANGLES = ±5'
 UP TO 6 = ±0.2
 6-40 = ±0.4
 40-120 = ±0.6
 120-315 = ±1
 ABOVE 315 = ±1.6
 THIRD_ANGLE
 SCALE 1/1.5

APPROVED DATE 2018-08-23
 CHECKED DATE
 DRAWN 吳碧珊 DATE 2018-08-23
 FILE NO. D:\CAD\SVP\5113180027_
 SVP592L-HC_CA001A1
 ERP LINK: 5113180027

日昇電子股份有限公司
 SUN RISE EXACT INDUSTRIAL CO.
 TITLE 32A POWER FEMALE CONNECTOR
 PART NO. SVP592L-HC
 REV. A1

F
E
D
C
B
A

F
E
D
C
B
A