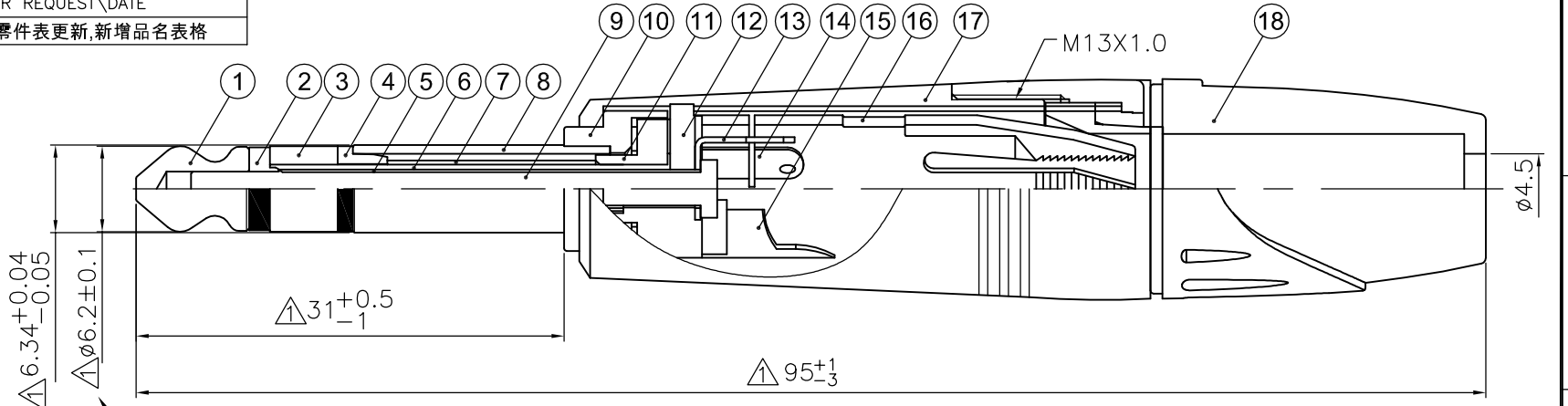


REVISIONS		
ISS	ZONE	DESCRIPTION\PER REQUEST\DATE
A3	ALL	修改品號,多處尺寸△及零件表更新,新增品名表格
V	OPEN	對客戶公開圖紙
	OPEN	對供應商公開圖紙
	CLOSED	僅限廠內使用



台灣日昇電子股份有限公司
ISSUE APPROVED
 發行核可
本文件與簽核紙本正本相符

Note(備註):
 1. Suitable for OD 4mm ~ 7mm(below) cable
 (適用於4mm~7mm以下線徑)

18	螺套+尾套(BOOT)	PA+TPR	黑+黑(BK+BK)	1	1601010079
17	外殼(SHELL)	ALUMINUM	黑色(BLACK)	1	
16	夾線爪(CABLE CLAMP)	POM	藍色(BLUE)	1	
15	S端子(S-TERMINAL)	H62	鍍錫(TIN)	1	
14	R端子(R-TERMINAL)	H62	鍍錫(TIN)	1	
13	T端子(T-TERMINAL)	H62	鍍錫(TIN)	1	
12	塑粒(INSULATOR)	PA66	白色(WHITE)	1	
11	塑粒(INSULATOR)	PA66	白色(WHITE)	1	
10	鋅座(DIE-CAST BASE)	ZZnAl4-1	鍍金(GOLO)	1	
9	鐵釘(BOLT)	A3	鍍鋅(ZINC)	1	
8	銅管(SLEEVE)	H62	鍍金(GOLD)	1	
7	塑管(PLASTIC TUBE)	P.P.		1	
6	中間銅管(SLEEVE)	H62	鍍鎳(NICKEL)	1	
5	塑管(PLASTIC TUBE)	P.P.		1	
4	RS絕緣粒(INSULATOR)	PA	黑色(BLACK)	1	
3	銅管(SLEEVE)	H62	鍍金(GOLD)	1	
2	TR絕緣粒(INSULATOR)	PA	黑色(BLACK)	1	
1	珠頭(TIP)	H59-1	鍍金(GOLD)	1	
NO.	DESCRIPTION	MATERIAL	FINISH	Q'TY	DRAWING NO.

List:

ERP link(品號)	半成品品號	Part No.(品名)	頭端 (Body part)	螺套+尾套 (Cap+Boot)
5101010202	1601010079	SP101-CPX-BK-PG	Gold(鍍金)	BK+BK(黑+黑)
5101010203	1601010081	SP101-CPX-BR	Nickel(鍍鎳)	BK+RD(黑+紅)
5101010205	1601010079	SP101-CPX-BR-PG-SR	Gold(鍍金)	

DIMENSIONS ARE IN MILLIMETERS	APPROVED DATE 2023-09-15
UNLESS OTHERWISE SPECIFIED TOLERANCES	CHECKED DATE
ANGLES = ±5°	DRAWN 吳碧珊 DATE 2023-09-15
UP TO 6 = ±0.2	FILE NO. D:\CAD\SP102\5101010202_
6-40 = ±0.4	SP101-CPX-BK-PG_CA001A3
40-120 = ±0.6	
120-315 = ±1	
ABOVE 315 = ±1.6	
THIRD_ANGLE	ERP LINK: 5101010202
SCALE 2/1	

	日昇電子股份有限公司 SUN RISE EXACT INDUSTRIAL CO.
	TITLE 6.3mm MONO PHONE PLUG CONNECTOR BLACK OXIDATION
PART NO. SP101-CPX-BK-PG	REV. A3