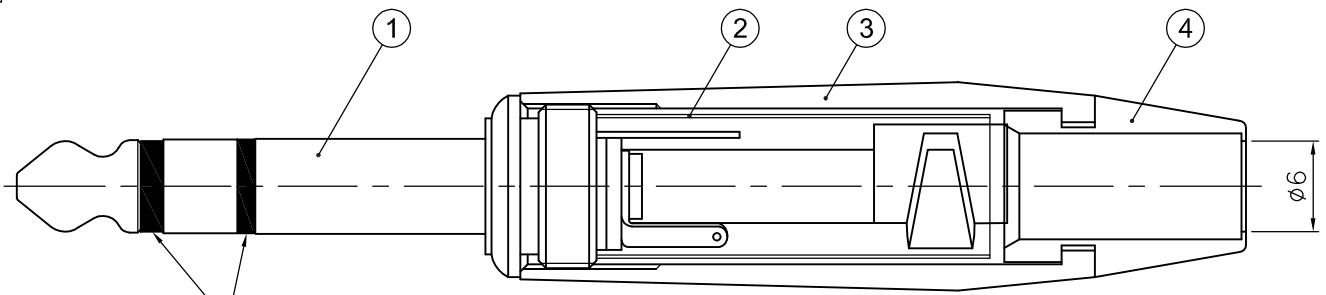
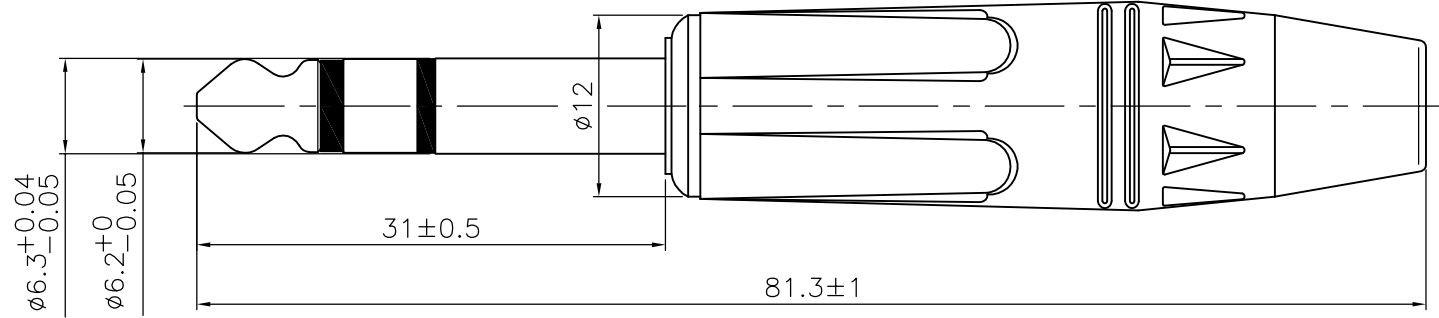


REVISIONS		
ISS	ZONE	DESCRIPTION\PER REQUEST\DATE
A2	B-4	表格整合相關品號
V	OPEN	對客戶公開圖紙
	OPEN	對供應商公開圖紙
	CLOSED	僅限廠內使用

台灣日昇電子股份有限公司
ISSUE APPROVED
 發行核可 本文件與簽核紙本正本相符



High Temperature Resistant (PC)
 (耐高溫PC)



List:

品號(ERP link)	品名(Part No.)	尾套(Boot color)	6.3mm Body part (6.3mm頭段)	外殼(Shell)	半成品品號
5101010200	SP101-CPA	黑色(Black)	鍍鎳(Nickel)	鍍鎳(Nickel)	1601010086
5101010199	SP101-CPA-PG	黑色(Black)	鍍金(Gold)		1601010085
5101010215	SP101-CPA-PG-RD	紅色(Red)			1601010092
5101010192	SP101-CPA-BK-PG	黑色(Black)	鍍鎳(Nickel)	電泳黑(Electro-coating Black)	1601010084

Note(備註):
 1. Suitable for OD: 5~7.5, exclude cover tail could be OD:8.0
 (適用OD.: 5~7.5, 不含尾套可用到OD.: 8.0)

6.3mm body part: solder terminals are all tin-plated
 (6.3mm頭段內焊接端子均為鍍錫)

NO.	DESCRIPTION	MATERIAL	FINISH	Q'TY	DRAWING NO.
4	尾套(BOOT)	PVC	List	1	List
3	外殼(SHELL)	ZINC ALLOY	List	1	
2	塑管(PLASTIC TUBE)	P.P.		1	
1	6.3mm頭段 (6.3mm BODY PART)	H62	List	1	

DIMENSIONS ARE IN MILLIMETERS		APPROVED DATE 2023-09-05
UNLESS OTHERWISE SPECIFIED TOLERANCES		CHECKED DATE
ANGLES = ±5°		DRAWN 吳碧珊 DATE 2023-09-05
UP TO 6 = ±0.2		FILE NO. D:\CAD\SP101\5101010200_
6-40 = ±0.4		SP101-CPA_CA001A2
40-120 = ±0.6		ERP LINK: 5101010200
120-315 = ±1		
ABOVE 315 = ±1.6		
THIRD_ANGLE		
SCALE	2/1	

日昇電子股份有限公司 SUN RISE EXACT INDUSTRIAL CO.		TITLE	
		6.3mm STEREO PHONE PLUG CABLE OD.: 5~8mm	
PART NO. SP101-CPA		REV.	A2