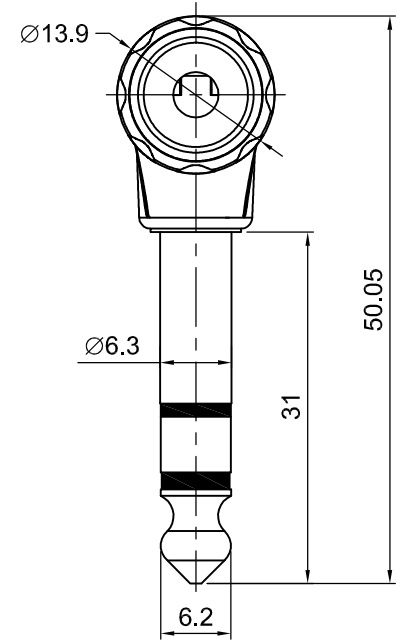
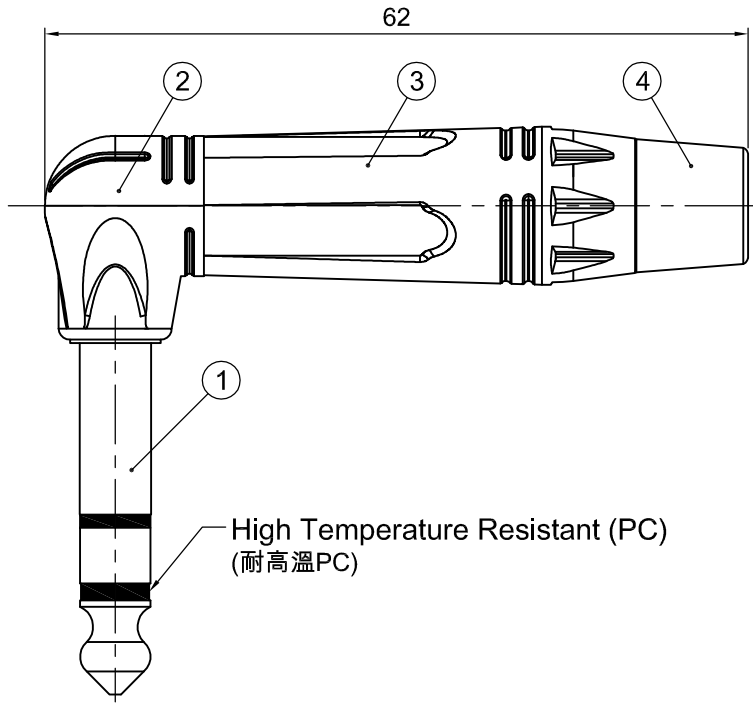


REVISIONS		
ISS	ZONE	DESCRIPTION/PER REQUEST/DATE
A3	B-5	新增SP101-CPA-R-S-PG,表格合併
V	OPEN	對客戶公開圖紙
	OPEN	對供應商公開圖紙
	CLOSED	僅限廠內使用



台灣日昇電子股份有限公司
ISSUE APPROVED
 發行核可 本文件與簽核
 紙本正本相符

品名-SR代表租賃工程SR包裝袋

ERP link (品號)	Part No. (品名)	Shell finish (外殼電鍍)	半成品品號
5101010189	SP101-CPA-R-S-NT-PG-SR	Nickel Tin(黑鍍)	1601010082
5101010210	SP101-CPA-R-S-PG	Nickel (鍍鍍)	1601010088

Note(備註):
 1. Suitable for OD: 5~7.5mm, exclude cover tail could be OD:8mm
 (適用OD.: 5~7.5mm, 不含尾套可用到OD.: 8mm)

6.3mm body part: solder terminals are all tin-plated
 (6.3mm頭段內焊接端子均為鍍錫)

NO.	DESCRIPTION	MATERIAL	FINISH	Q'TY	DRAWING NO.
4	尾套(COVER TAIL)	PVC	黑色(BLACK)	1	
3	外殼(SHELL)	ZINC ALLOY	Nickel Tin (黑鍍)	1	
2	後蓋(BACK COVER)	ZINC ALLOY	Nickel Tin (黑鍍)	1	
1	6.3mm頭段 (6.3mm BODY PART)		鍍金(GOLD)	1	

DIMENSIONS ARE IN MILLIMETERS		APPROVED	DATE
UNLESS OTHERWISE SPECIFIED TOLERANCES ANGLES = $\pm 5^\circ$ UP TO 6 = ± 0.2 6-40 = ± 0.4 40-120 = ± 0.6 120-315 = ± 1 ABOVE 315 = ± 1.6		吳碧珊	2022-04-01
		CHECKED	DATE
		DRAWN 吳碧珊	DATE 2022-03-31
THIRD_ANGLE	$\oplus \ominus$	FILE NO. D:\CAD\SP101\5101010189_	
SCALE	1.5/1	SP101-CPA-R-S-NT-PG-SR_CA001A3	
		ERP LINK:	5101010189

TITLE		PART NO.		REV.
6.3mm R/A STEREO PHONE PLUG, CABLE OD: 5~8mm		SP101-CPA-R-S-NT-PG-SR		A3

F
E
D
C
B
A

F
E
D
C
B
A