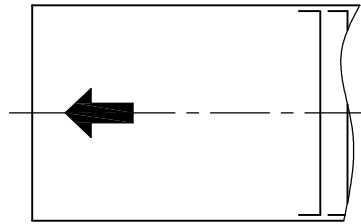
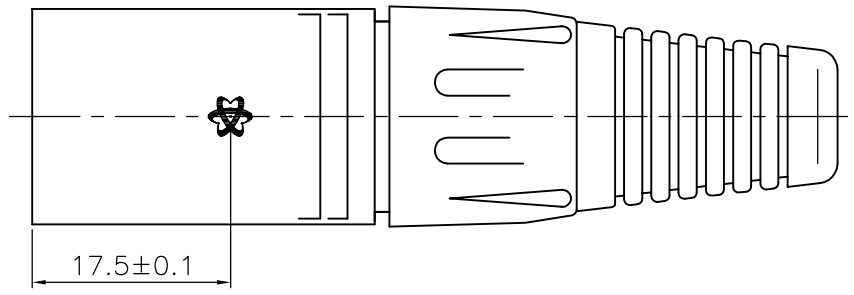
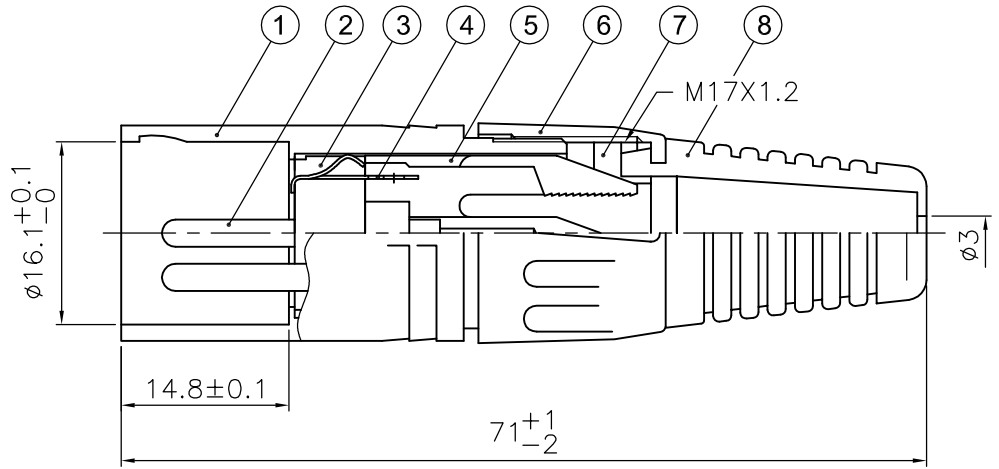
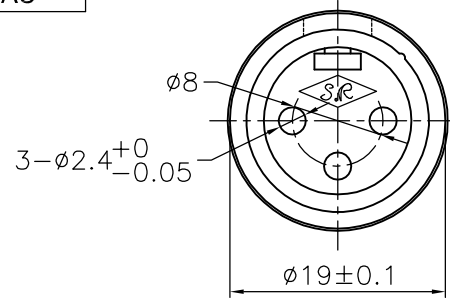


REVISIONS		
ISS	ZONE	DESCRIPTION\PER REQUEST\DATE
A4	B-1	修改LIST 1內容; M17x1.0改為M17x1.2; 增加備註1
F	V	對客戶公開圖紙
	OPEN	對供應商公開圖紙
	CLOSED	僅限廠內使用

台灣日昇電子股份有限公司
ISSUE APPROVED
 發行核可
本文件與簽核紙本正本相符



Electrical(電氣性能):	
Contact resistance(接觸電阻)	3mΩ max.
Insulator resistance(絕緣電阻)	5000MΩ min.
Current rating(耐電流)	3P/15A
Withstand voltage(耐電壓)	1500 VAC



Note(備註):

★1. Available for OD: 5mm ~ 7mm(below) cable, excluding 7mm.
 (適用於5mm~7mm以下線徑, 不包括7mm)

LIST 1:

鍍殼半成品品號	鍍殼電鍍	成品品號	品名
3103040110	Nickel(鍍鎳)	5111070189	SVP555SC
3103040111	Electro-coating black(電泳黑)	5111070193	SVP555SC-BK

NO.	DESCRIPTION	MATERIAL	FINISH	Q'TY	DRAWING NO.
8	尾套(BOOT)	PVC	黑色(BLACK)	1	4301050004
7	T型圈(T-RING)	POM	白色(WHITE)	1	4301100001
6	螺套(CAP)	PA	黑色(BLACK)	1	4301060001
5	夾線爪(CHUCK)	POM	白色(WHITE)	1	4301070001
4	端子(TERMINAL)	H62	鍍銀(SILVER)	1	3102030007
3	塑料(INSULATOR)	PA	黑色(BLACK)	1	4301010008
2	插針(PIN)	H59-1	鍍銀(SILVER)	1	3102010002
1	鍍殼(DIE-CAST SHELL)	ZZnAL4-0	SEE LIST 1	1	

DIMENSIONS ARE IN MILLIMETERS
 UNLESS OTHERWISE SPECIFIED
 TOLERANCES
 ANGLES = ±5°
 UP TO 6 = ±0.2
 6-40 = ±0.4
 40-120 = ±0.6
 120-315 = ±1
 ABOVE 315 = ±1.6

THIRD_ANGLE $\frac{1}{2}$
 SCALE 1.5/1

APPROVED *蘇其哲* DATE 2020-05-27
 CHECKED DATE
 DRAWN 吳碧珊 DATE 2020-05-27
 FILE NO. D:\CAD\1\SVP555\5111070189_ SVP555SC_CA001A4
 ERP LINK: 5111070189

SUNRISE 日昇電子股份有限公司
 SUN RISE EXACT INDUSTRIAL CO.

TITLE 3P MIC CONNECTOR, MALE
 CLOSE LOCK HOLE

PART NO. SVP555SC REV. A4