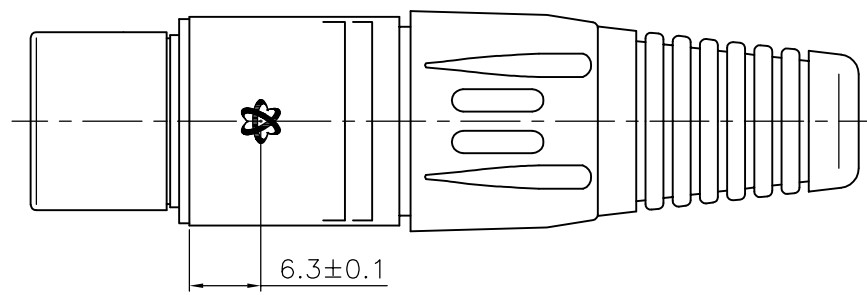
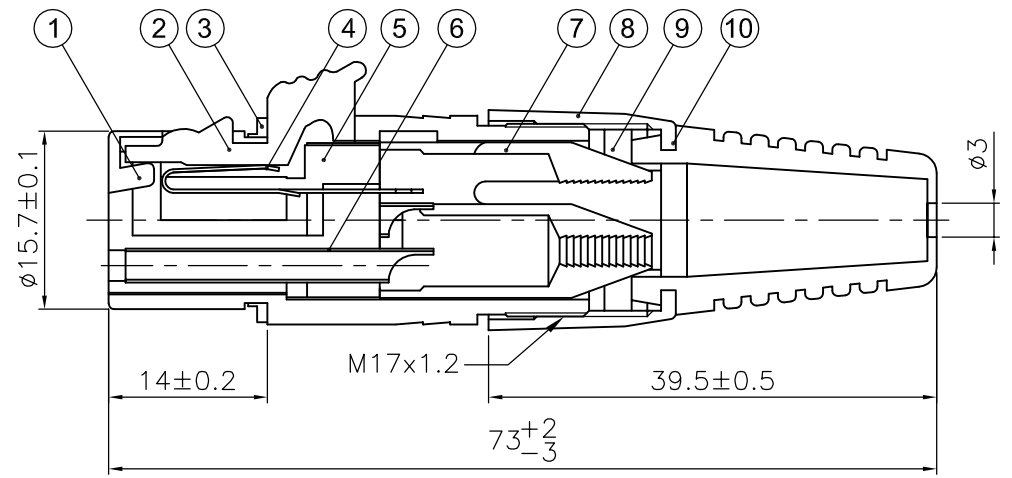
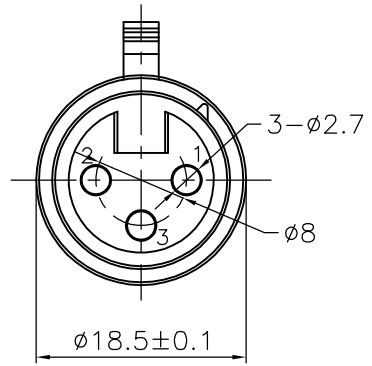


REVISIONS		
ISS	ZONE	DESCRIPTION\PER REQUEST\DATE
A4	B-4	修改備註2; $\varnothing 18.4 \pm 0.1$ 改為 $\varnothing 18.5 \pm 0.1$
V	OPEN	對客戶公開圖紙
	OPEN	對供應商公開圖紙
	CLOSED	僅限廠內使用

台灣日昇電子股份有限公司
ISSUE APPROVED
 發行核可
本文件與簽核紙正本相符



Electrical(電氣性能):	
Contact resistance(接觸電阻)	3mΩ max.
Insulator resistance(絕緣電阻)	5000MΩ min.
Current rating(耐電流)	3P/15A
Withstand voltage(耐電壓)	1500 VAC

- List 1
 3103040057 鍍鎳(Nickel)
 3103040025 鍍電泳黑(Electro-coating black)

NO.	DESCRIPTION	MATERIAL	FINISH	Q'TY	DRAWING NO.
10	尾套(BOOT)	PVC	黑色(BLACK)	1	4301050010
9	T型圈(T-RING)	POM	白色(WHITE)	1	
8	螺套(CAP)	PA	黑色(BLACK)	1	
7	夾線爪(CHUCK)	POM	白色(WHITE)	1	
6	插孔(FEMALE PIN)	PHOSPHOR BRONZE	鍍銀(SILVER)	3	3102020007 (SVP556S-0-NL)
5	塑粒(INSULATOR)	PA	黑色(BLACK)	1	1209100051
4	鋼片(LATCH)	STAINLESS STEEL	鍍錫(TIN)	1	
3	密封圈(SEAL)	RUBBER	黑色(BLACK)	1	3301010089
2	按鍵(PUSH BUTTON)	ZZnAL4-1	鍍鎳(NICKEL)	1	List 1
1	鋅殼(DIE-CAST SHELL)	ZZnAL4-0	List 1	1	List 1

Notes(備註):
 1. Without any logo on insulator (塑粒上不要有任何標誌)
 2. Available for OD: 5mm ~ 7mm(below) cable, excluding 7mm. (適用於5mm~7mm以下線徑, 不包括7mm)

5112010051 SVP556S-NL 鍍鎳(Nickel)
 5112010235 SVP556S-BK-NL 鍍電泳黑(Electro-coating black)

DIMENSIONS ARE IN MILLIMETERS UNLESS OTHERWISE SPECIFIED TOLERANCES ANGLES = ±5° UP TO 6 = ±0.2 6-40 = ±0.4 40-120 = ±0.6 120-315 = ±1 ABOVE 315 = ±1.6	APPROVED DATE 2020-04-13	日昇電子股份有限公司 SUN RISE EXACT INDUSTRIAL CO.
	CHECKED DATE	
THIRD_ANGLE	DRAWN 吳碧珊 DATE 2020-04-13	FILE NO. D:\CAD\SVP556\5112010051_ SVP556S-NL_CA001A4
SCALE 1.5/1	ERP LINK: 5112010051	PART NO. SVP556S-NL
		REV. A4