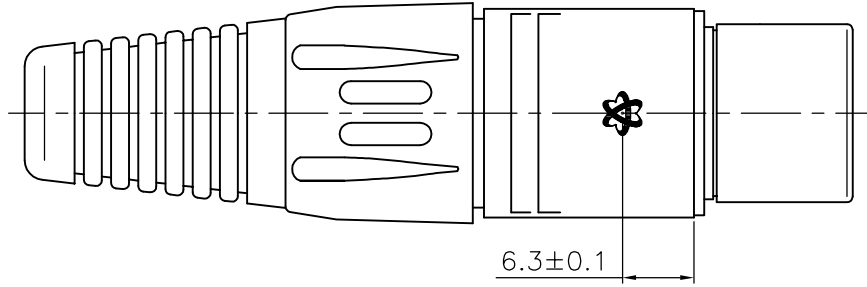
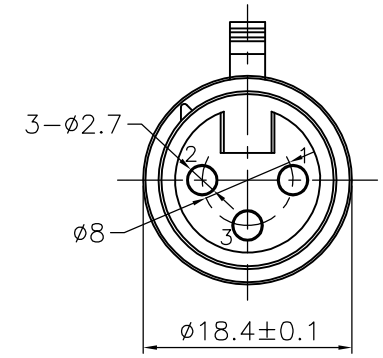
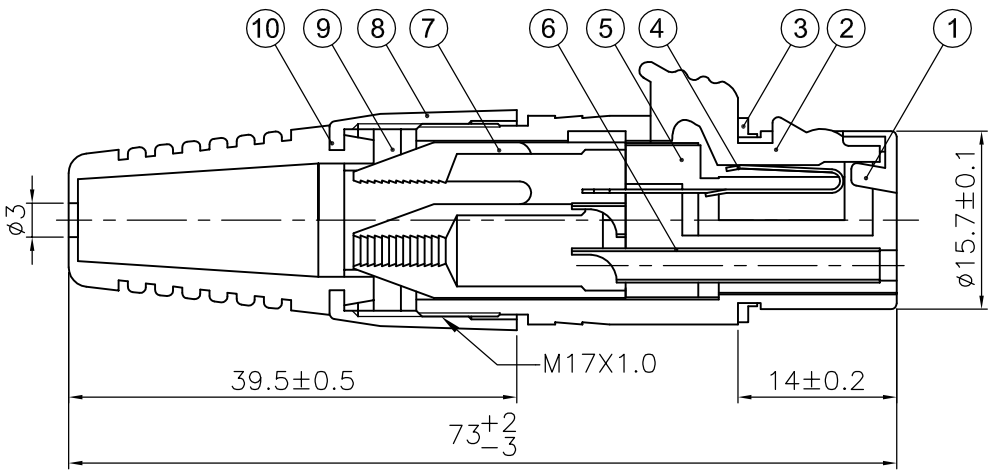


REVISIONS		
ISS	ZONE	DESCRIPTION\PER REQUEST\DATE
V	OPEN	對客戶公開圖紙
	OPEN	對供應商公開圖紙
	CLOSED	僅限廠內使用

台灣日昇電子股份有限公司  
**ISSUE APPROVED**  
 發行核可  
本文件與審核紙正本相符

Electrical(電氣性能):	
Contact resistance(接觸電阻)	3mΩ max.
Insulator resistance(絕緣電阻)	5000MΩ min.
Current rating(耐電流)	3P/15A
Withstand voltage(耐電壓)	1500 VAC



NO.	DESCRIPTION	MATERIAL	FINISH	Q'TY	DRAWING NO.
10	尾套(BOOT)	PVC	黑色(BLACK)	1	4301050010
9	T型圈(T-RING)	POM		1	
8	螺套(CAP)	PA	黑色(BLACK)	1	
7	夾線爪(CHUCK)	POM	白色(WHITE)	1	4301070001
6	插孔(FEMALE PIN)	PHOSPHOR BRONZE	鍍金(GOLD)	3	4401120149
5	塑粒(INSULATOR)	PA	黑色(BLACK)	1	
4	鋼片(LATCH)	STAINLESS STEEL	鍍錫(TIN)	1	(SVP556S-PG-0-NL)
3	密封圈(SEAL)	RUBBER	黑色(BLACK)	1	1208010003
2	按鍵(PUSH BUTTON)	ZZnAL4-1	鍍鎳(NICKEL)	1	3301010089
1	鋅殼(DIE-CAST SHELL)	ZZnAL4-0	電泳黑(ELECTRO-COATING BLACK)	1	3104040025

**Notes(備註):**  
 ★ 1. Available for OD: 4mm ~ 7.2mm cable.  
 (適用於4mm~7.2mm線徑)  
 2. Without any logo on insulator  
 (塑粒上不要有任何標誌)

DIMENSIONS ARE IN MILLIMETERS UNLESS OTHERWISE SPECIFIED TOLERANCES ANGLES = ±5° UP TO 6 = ±0.2 6-40 = ±0.4 40-120 = ±0.6 120-315 = ±1 ABOVE 315 = ±1.6	APPROVED <i>程</i> DATE 2016-04-07
	CHECKED DATE
	DRAWN 吳碧珊 DATE 2016-03-29
THIRD_ANGLE	FILE NO. D:\CAD\SV556\5112010191_SVP556S-BK-PG-NL_CA001A1
SCALE 1.5/1	ERP LINK: 5112010191

**SUNRISE** 日昇電子股份有限公司  
 SUN RISE EXACT INDUSTRIAL CO.

TITLE: 3P MIC CONNECTOR, FEMALE BLACK HOUSING

PART NO. SVP556S-BK-PG-NL REV. A1