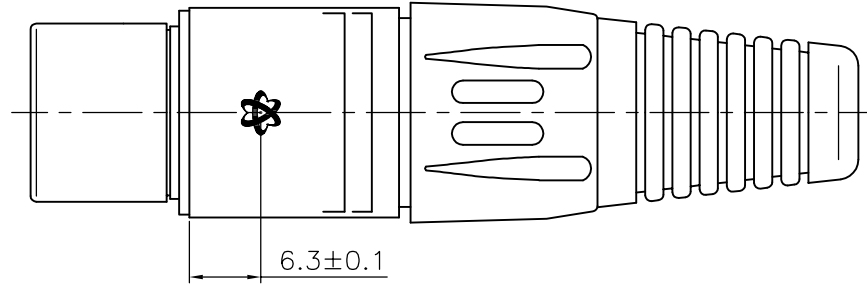
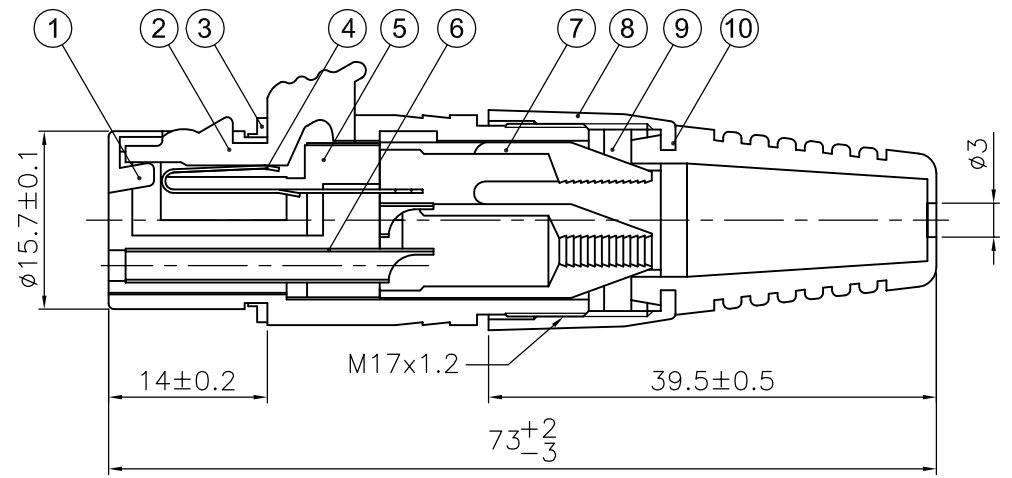
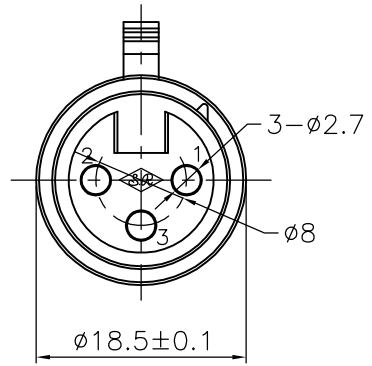


| REVISIONS | | |
|-----------|--------|------------------------------|
| ISS | ZONE | DESCRIPTION\PER REQUEST\DATE |
| A8 | B-4 | 修改備註3; M17x1.0改為M17x1.2; |
| | D-3 | Ø18.4±0.1改為Ø18.5±0.1 |
| V | OPEN | 對客戶公開圖紙 |
| | OPEN | 對供應商公開圖紙 |
| | CLOSED | 僅限廠內使用 |

台灣日昇電子股份有限公司
ISSUE APPROVED
 發行核可
本文件與簽核紙本正本相符



| Electrical(電氣性能): | |
|----------------------------|-------------|
| Contact resistance(接觸電阻) | 3mΩ max. |
| Insulator resistance(絕緣電阻) | 5000MΩ min. |
| Current rating(耐電流) | 3P/15A |
| Withstand voltage(耐電壓) | 1500 VAC |

- List 1
 3103040057 鍍鎳(Nickel)
 3103040025 鍍電泳黑(Electro-coating black)

| NO. | DESCRIPTION | MATERIAL | FINISH | Q'TY | DRAWING NO. |
|-----|--------------------|-----------------|------------|------|-------------|
| 10 | 尾套(BOOT) | PVC | 黑色(BLACK) | 1 | 4301050010 |
| 9 | T型圈(T-RING) | POM | | 1 | |
| 8 | 螺套(CAP) | PA | 黑色(BLACK) | 1 | 4301070001 |
| 7 | 夾線爪(CHUCK) | POM | 白色(WHITE) | 1 | |
| 6 | 插孔(FEMALE PIN) | PHOSPHOR BRONZE | 鍍銀(SILVER) | 3 | 4401120117 |
| 5 | 塑粒(INSULATOR) | PA | 黑色(BLACK) | 1 | |
| 4 | 鋼片(LATCH) | STAINLESS STEEL | 鍍錫(TIN) | 1 | 1208010003 |
| 3 | 密封圈(SEAL) | RUBBER | 黑色(BLACK) | 1 | |
| 2 | 按鍵(PUSH BUTTON) | ZZnAL4-1 | 鍍鎳(NICKEL) | 1 | 3301010089 |
| 1 | 鋅殼(DIE-CAST SHELL) | ZZnAL4-0 | List 1 | 1 | List 1 |

- Notes(備註):
 1. Housing with a flower logo (鋅殼上有花型商標)
 2. Insulator with a SR logo (塑粒上有SR商標)
 ★3. Available for OD: 5mm ~ 7mm(below) cable, excluding 7mm. (適用於5mm~7mm以下線徑, 不包括7mm)

5112010012 SVP556S 鍍鎳(Nickel)
 5112010041 SVP556S-BK 鍍電泳黑(Electro-coating black)

| | | |
|--|--|--|
| DIMENSIONS ARE IN MILLIMETERS UNLESS OTHERWISE SPECIFIED TOLERANCES ANGLES = ±5' UP TO 6 = ±0.2 6-40 = ±0.4 40-120 = ±0.6 120-315 = ±1 ABOVE 315 = ±1.6 | APPROVED DATE 2020-04-13 | 日昇電子股份有限公司 SUN RISE EXACT INDUSTRIAL CO. |
| | CHECKED DATE | |
| THIRD_ANGLE | DRAWN 吳碧珊 DATE 2020-04-13 | PART NO. SVP556S |
| SCALE 1.5/1 | FILE NO. D:\CADI\SVP556\5112010012_SVP556S_CA001A8 | REV. A8 |
| | ERP LINK: 5112010012 | |

F
E
D
C
B
A

F
E
D
C
B
A