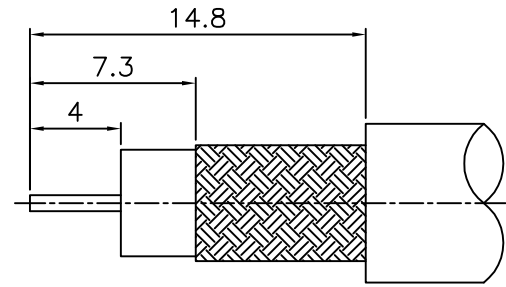


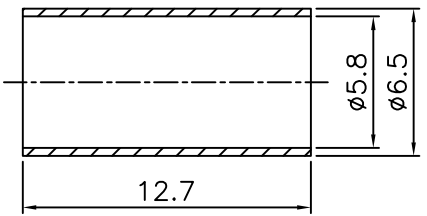
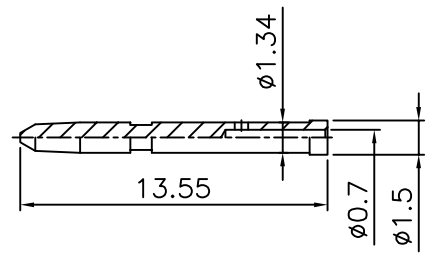
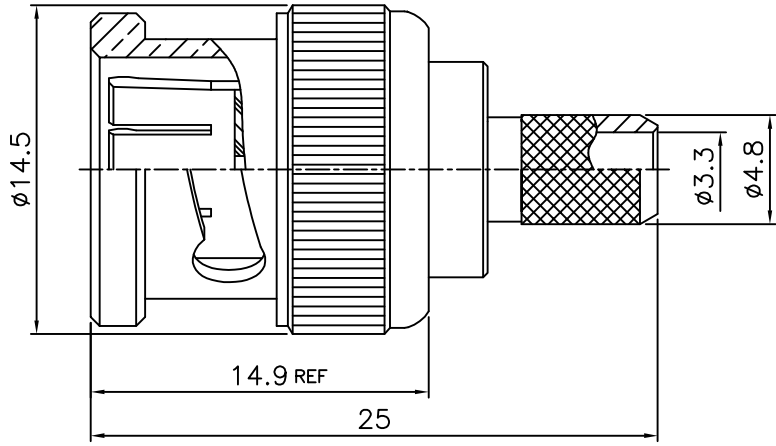
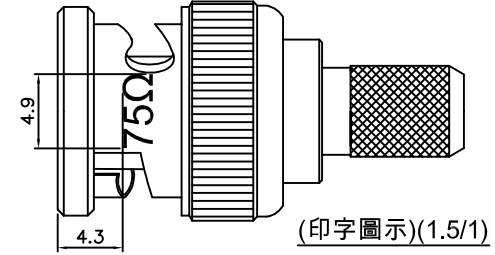
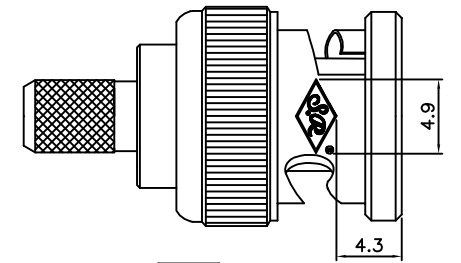
REVISIONS		
ISS	ZONE	DESCRIPTION\PER REQUEST\DATE
V	OPEN	對客戶公開圖紙
	OPEN	對供應商公開圖紙
	CLOSED	僅限廠內使用

Electrical(電氣性能):	
Impedance(阻抗)	75 ohms
Frequency range(頻寬)	0~3GHz
VSWR(電壓駐波比) with Canare L-3CFB	1.08 max.
Working Voltage(工作電壓)	500 VRMS max.
Dielectric Withstanding Voltage (介質耐電壓)	1500 VRMS min.
Contact Resistance(接觸電阻)	
Center contact(中心接觸)	3 Milliohms max.
Outer contact(外部接觸)	2 Milliohms max.
Insulator resistance(絕緣電阻)	5000 Megohms min.

台灣日昇電子股份有限公司
ISSUE APPROVED
 發行核可 本文件與簽核
紙本正本相符



RECOMMENDED
CABLE STRIPPING DIM'S
(建議剝線尺寸)



Notes(備註):

1. Crimped Ferrule Hex. crimp size .213" (5.41mm)
(套管壓著工具,六角壓著尺寸為.213"(5.41mm))
2. Crimped contact pin SQ. crimp size .042" (1.07mm)
(中心針壓著工具,四方壓著尺寸為.042"(1.07mm))
3. & 75Ω is laser carving.
(& 75Ω產品上的商標為雷射印字)(印字圖示)

NO.	DESCRIPTION	MATERIAL	FINISH	Q'TY	DRAWING NO.
9	銅管(FERRULE)	C2700	鍍鎳(NICKEL)	1	1601110285
8	中心針(CONTACT PIN)	C3604	鍍金(GOLD)	1	
7	外殼(SHELL)	C3604	鍍鎳(NICKEL)	1	
6	防水圈(GASKET)	SILICON	紅色(RED)	1	
5	C型環(C-RING)	SS41	鍍鎳(NICKEL)	1	
4	彈簧(SPRING)	SK5	鍍鎳(NICKEL)	1	
3	華司(WASHER)	SS41	鍍鎳(NICKEL)	1	
2	絕緣(INSULATOR)	PTFE	白色(WHITE)	1	
1	本體(BODY)	C3604	鍍鎳(NICKEL)	1	

DIMENSIONS ARE IN MILLIMETERS		APPROVED DATE 2019-03-20
UNLESS OTHERWISE SPECIFIED TOLERANCES		CHECKED DATE
ANGLES = ±5°		DRAWN 吳碧珊 DATE 2019-01-21
UP TO 6 = ±0.2		FILE NO. D:\CAD\RF系列\5221010955_ SVP1001-3CFB-HD_CA001A1
6-40 = ±0.4		
40-120 = ±0.6		
120-315 = ±1		
ABOVE 315 = ±1.6		
THIRD_ANGLE		ERP LINK: 5221010955
SCALE	3/1	

日昇電子股份有限公司 SUN RISE EXACT INDUSTRIAL CO.	
TITLE 1.5G HD-SDI BNC CRIMP PLUG (75 ohms) (FOR 3C-FB)	
PART NO. SVP1001-3CFB-HD	REV. A1

F
E
D
C
B
A

F
E
D
C
B
A