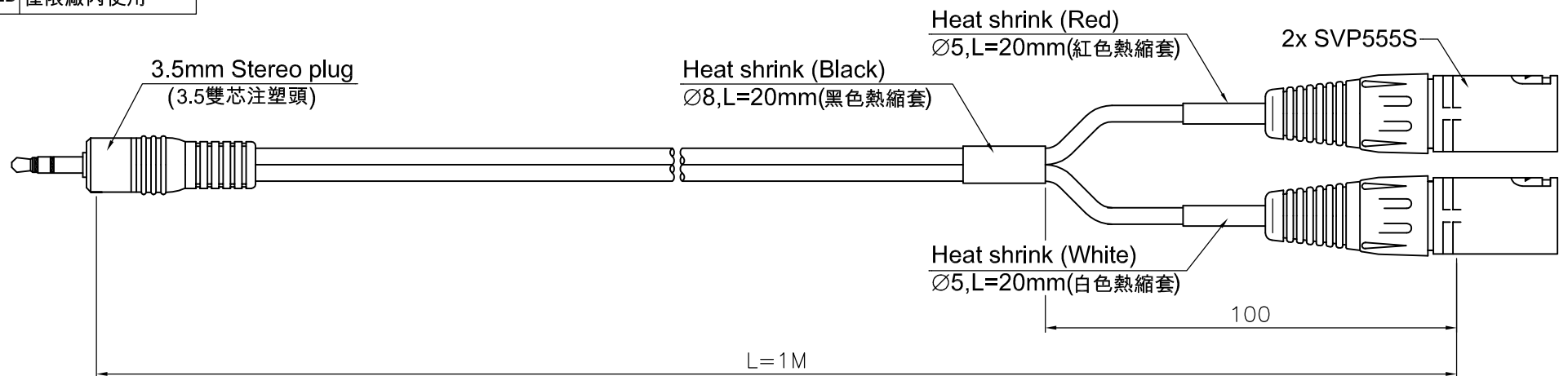
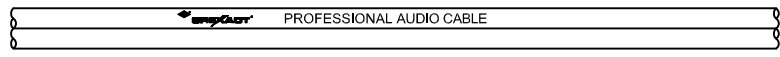
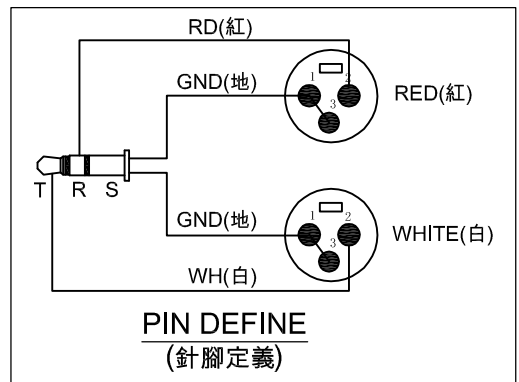
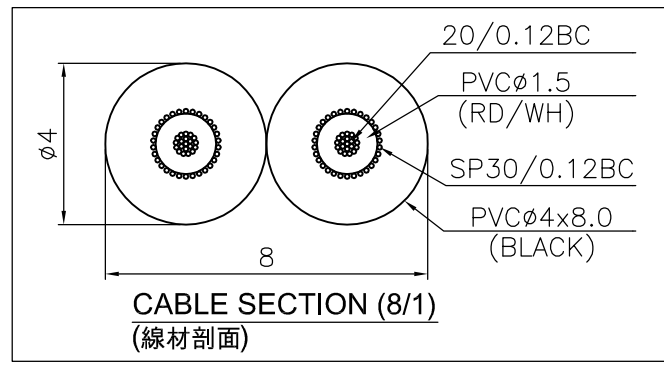


1 2 3 4 5 6 7 8

REVISIONS		
ISS	ZONE	DESCRIPTION\PER REQUEST\DATE
V	OPEN	對客戶公開圖紙
	OPEN	對供應商公開圖紙
	CLOSED	僅限廠內使用



CABLE NO.: 4102010017
(3070200009-01)



台灣日昇電子股份有限公司
ISSUE APPROVED
發行核可 本文件與簽核紙本正本相符

DIMENSIONS ARE IN MILLIMETERS		APPROVED <i>程嘉玲</i> DATE 2015-08-26
UNLESS OTHERWISE SPECIFIED TOLERANCES		CHECKED DATE 2015-08-26
ANGLES = ±5°		DRAWN 吳碧珊 DATE 2015-08-26
UP TO 6 = ±0.2		FILE NO. D:\CAD\SC\5223010108_
6-40 = ±0.4		SC7006S-X-1M_CA001A1
40-120 = ±0.6		ERP LINK: 5223010108
120-315 = ±1		
ABOVE 315 = ±1.6		
THIRD_ANGLE	⊕ ⊖	
SCALE	1/1.5	

日昇電子股份有限公司 SUN RISE EXACT INDUSTRIAL CO.	
TITLE 3.5mm STEREO PLUG TO 2x XLR MALE CABLE ASSEMBLY (L=1M)	
PART NO.	SC7006S-X-1M
REV.	A1

1 2 3 4 5 6 7 8

F
E
D
C
B
A

F
E
D
C
B
A