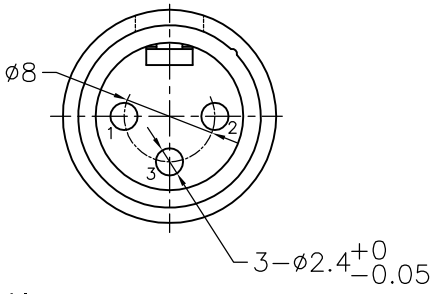


REVISIONS		
ISS	ZONE	DESCRIPTION\PER REQUEST\DATE
A4	D-1	增加Note 2
V	OPEN	對客戶公開圖紙
	OPEN	對供應商公開圖紙
	CLOSED	僅限廠內使用

Electrical(電氣性能):	
Contact resistance(接觸電阻)	3mΩ max.
Insulator resistance(絕緣電阻)	5000MΩ min.
Current rating(耐電流)	3P/15A
Withstand voltage(耐電壓)	1500 VAC

台灣日昇電子股份有限公司
ISSUE APPROVED
 發行核可 本文件與審核紙本正本相符



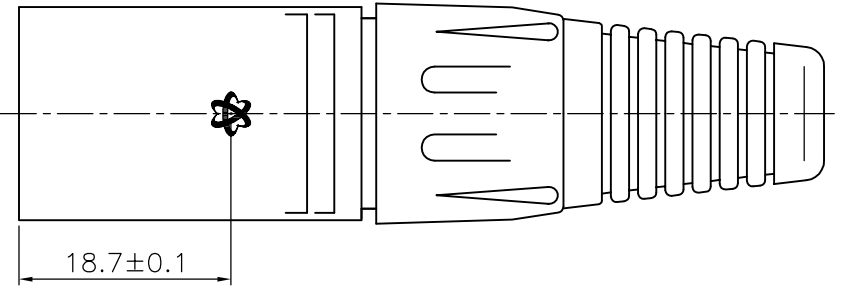
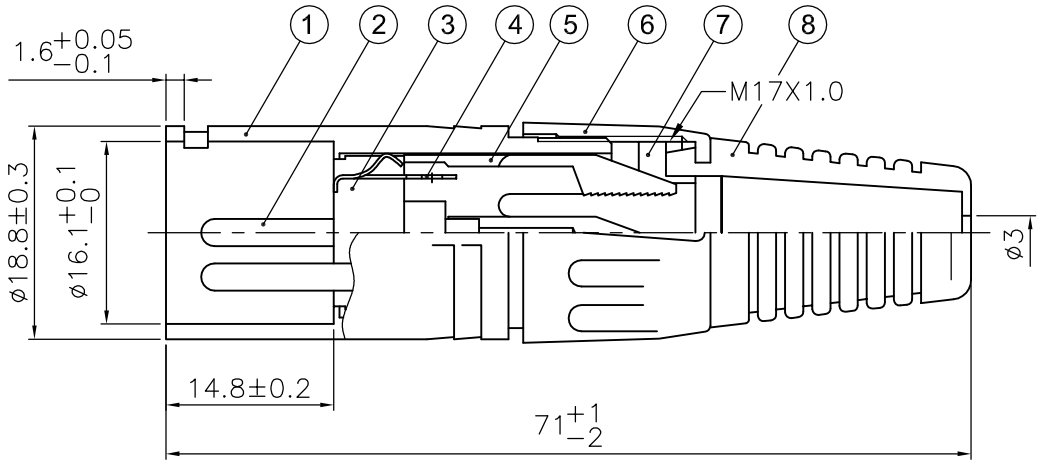
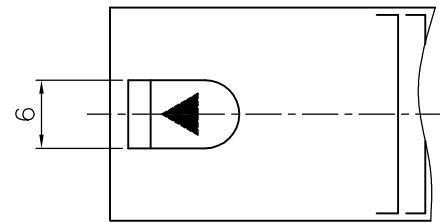
Notes(備註):

- 1. Without any logo on insulator (塑粒上不要有任何標誌)
- ★2. Available for OD: 4mm ~ 7.2mm cable. (適用於4mm~7.2mm線徑)

5111070030 SVP555S-NL 鍍鎳(Nickel)
 5111070225 SVP555S-BK-NL 鍍電泳黑(Electro-coating black)

List 1:

3103040056 鍍鎳(Nickel)
 3103040024 鍍電泳黑(Electro-coating black)



NO.	DESCRIPTION	MATERIAL	FINISH	Q'TY	DRAWING NO.
8	尾套(BOOT)	PVC	黑色(BLACK)	1	
7	T型圈(T-RING)	POM	白色(WHITE)	1	4301050010
6	螺套(CAP)	PA	黑色(BLACK)	1	
5	夾線爪(CHUCK)	POM	白色(WHITE)	1	4301070001
4	端子(TERMINAL)	H62	鍍錫(TIN)	1	
3	塑粒(INSULATOR)	PA	黑色(BLACK)	1	4401110119
2	插針(PIN)	H59-1	鍍金(GOLD)	3	(SVP555S-0-NL)
1	鋅殼(DIE-CAST SHELL)	ZZnAL4-0	List 1	1	List 1

DIMENSIONS ARE IN MILLIMETERS		APPROVED 程嘉芬 DATE 2016-04-19
UNLESS OTHERWISE SPECIFIED TOLERANCES		CHECKED DATE
ANGLES = ±5°		DRAWN 吳碧珊 DATE 2016-04-19
UP TO 6 = ±0.2		FILE NO. D:\CAD\SVP555\5111070030_
6-40 = ±0.4		SVP555S-NL_CA001A4
40-120 = ±0.6		ERP LINK: 5111070030
120-315 = ±1		
ABOVE 315 = ±1.6		
THIRD_ANGLE	⊕ ⊖	PART NO. SVP555S-NL
SCALE	1.5/1	REV. A4

SUNRISE 日昇電子股份有限公司
 SUN RISE EXACT INDUSTRIAL CO.

TITLE: 3P MIC CONNECTOR, MALE