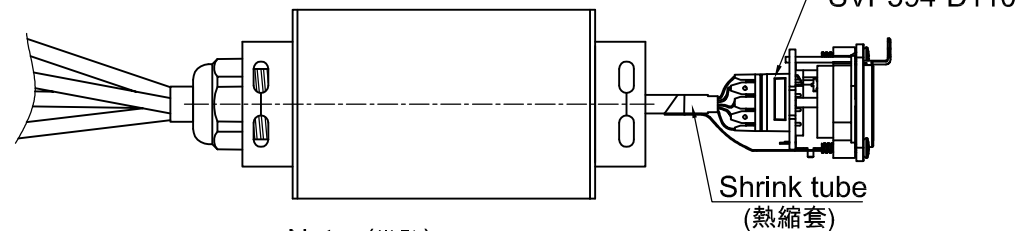
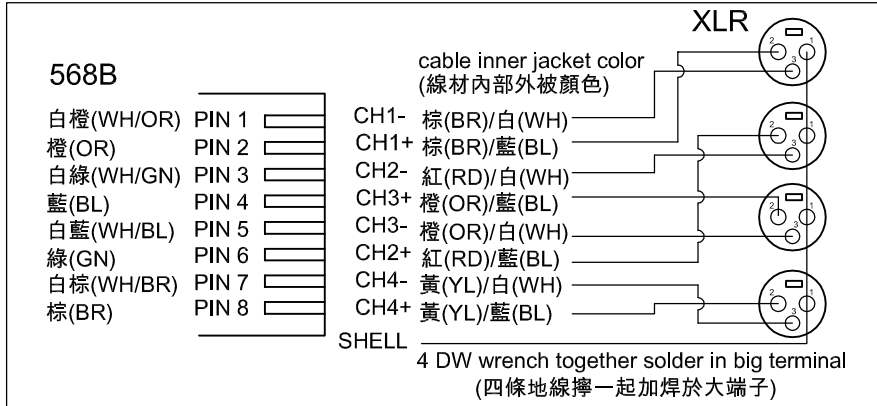
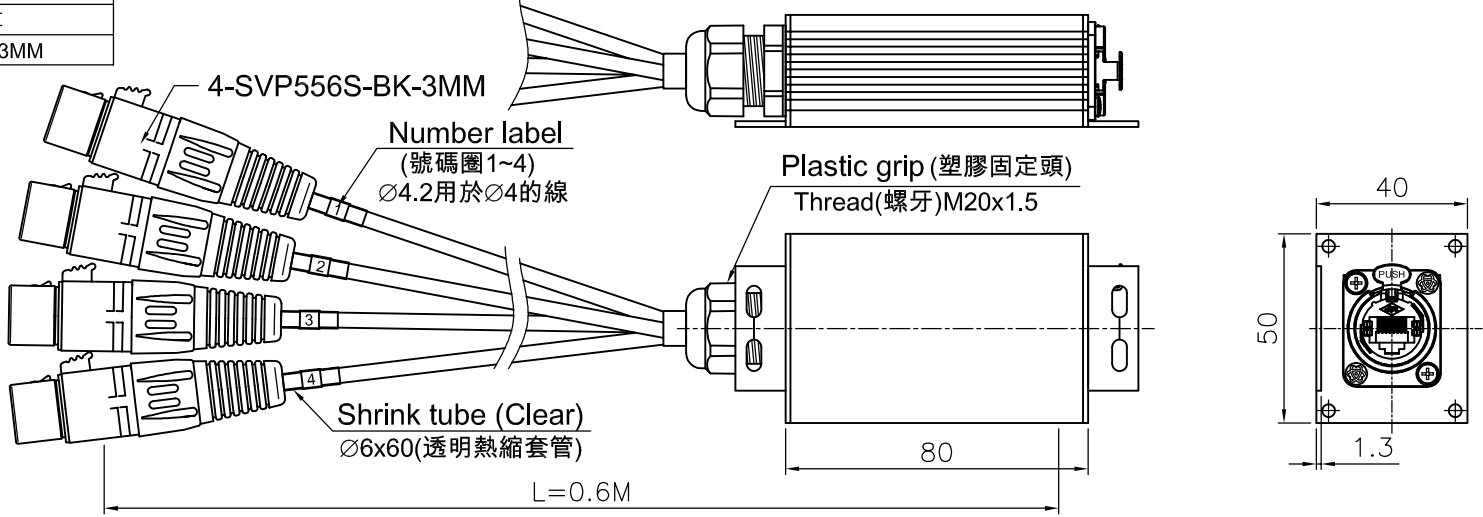
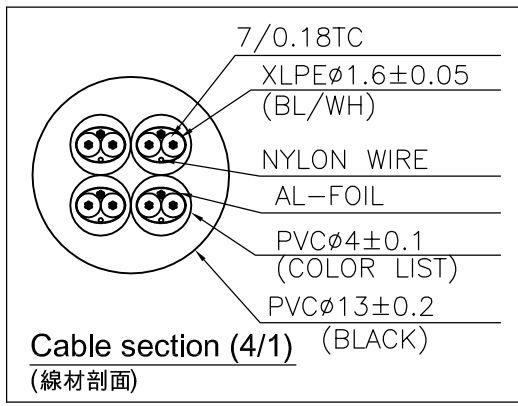


REVISIONS		
ISS	ZONE	DESCRIPTION\PER REQUEST\DATE
A5	C-2	修改針腳定義,備註3,連接器SVP556S-BK-3MM
V	OPEN	對客戶公開圖紙
	OPEN	對供應商公開圖紙
	CLOSED	僅限廠內使用

台灣日昇電子股份有限公司  
**ISSUE APPROVED**  
 發行核可  
本文件與審核紙正本相符



- Notes(備註):
- Box material: Aluminum alloy 6063-T5 (盒體材料為鋁合金6063-T5)
  - Surface treatment: Black plastic spraying (表面處理噴黑漆)
  - The connect way of this product is for AES72-2019 TYPE 1E and recommended to use shielding network cable. This product requires a pair (male & female) for using. (本產品連接方式為AES72-2019 TYPE 1E,並建議使用屏蔽網路線)(本產品需公母成對使用)



色彩型號(COLOR LIST)

棕	紅	橙	黃
BR	RD	OR	YL
1	2	3	4

CABLE NO.: 4107010236  
 (3070800096-01)

DIMENSIONS ARE IN MILLIMETERS UNLESS OTHERWISE SPECIFIED TOLERANCES ANGLES = ±5° UP TO 6 = ±0.2 6-40 = ±0.4 40-120 = ±0.6 120-315 = ±1 ABOVE 315 = ±1.6	APPROVED	DATE
	CHECKED	DATE
	DRAWN	DATE
	FILE NO.	D:\CAD\SKC\5210020002_SKC-4FDMX-0.6M_CA001A5
THIRD_ANGLE	ERP LINK:	5210020002
SCALE		1/2

	日昇電子股份有限公司 SUN RISE EXACT INDUSTRIAL CO.	
	TITLE	
BOX : 4*SVP556S-BK+SVP594-D110		PART NO.
SKC-4FDMX-0.6M		REV.
		A5

F

E

D

C

B

A

F

E

D

C

B

A