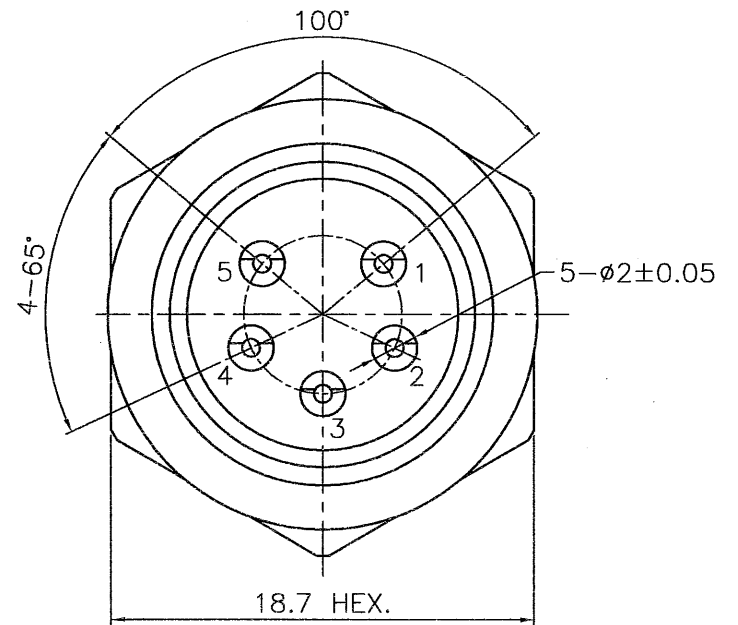
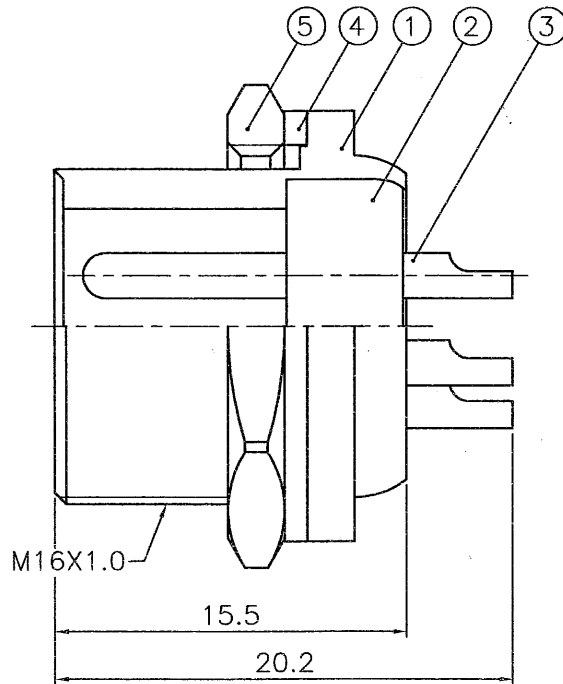
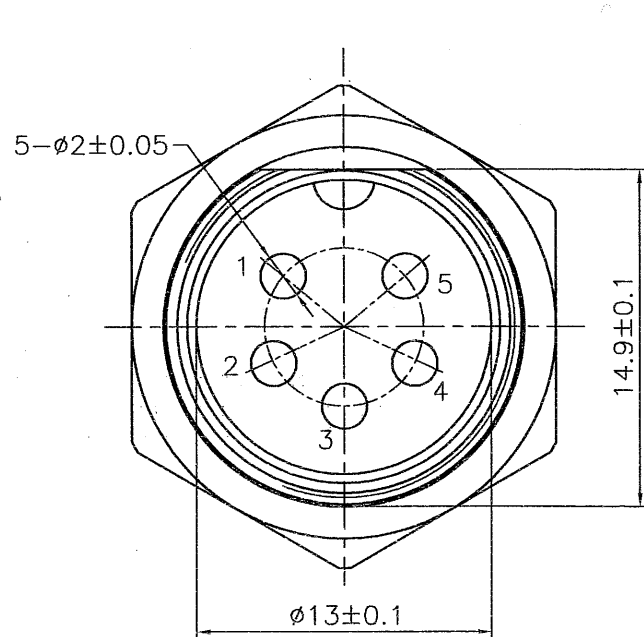


REVISIONS		
ISS	ZONE	DESCRIPTION\PER REQUEST\DATE
V	OPEN	對客戶公開圖紙
	OPEN	對供應商公開圖紙
	CLOSED	僅限廠內使用

ELECTRICAL(電氣性能):	
CONTACT RESISTANCE(接觸電阻)	10 mohms max.
INSULATOR RESISTANCE(絕緣電阻)	1000 mohms min.
CURRENT RATING(耐電流)	4-5P/5A
VOLTAGE PROOF(耐電壓)	125 VAC

台灣日昇電子股份有限公司
ISSUE APPROVED
 發行核可 本文件與簽核紙本正本相符



NO.	DESCRIPTION	MATERIAL	FINISH	Q'TY	DRAWING NO.
5	六角螺母(HEX. NUT)	H59-1	鍍鎳(NICKEL)	1	
4	墊圈(WASHER)	70#	鍍鎳(NICKEL)	1	
3	插針(PIN)	H59-1	鍍金(GOLD)	5	
2	塑粒(INSULATOR)	BAKELITE	黑色(BLACK)	1	
1	本體(BODY)	ZZnAlA-1	鍍鎳(NICKEL)	1	

DIMENSIONS ARE IN MILLIMETERS	
UNLESS OTHERWISE SPECIFIED TOLERANCES	
ANGLES	= ±5°
UP TO 6	= ±0.2
6-40	= ±0.4
40-120	= ±0.6
120-315	= ±1
ABOVE 315	= ±1.6
THIRD_ANGLE	
SCALE	3/1

APPROVED		DATE	2012-03-16
CHECKED		DATE	2012-03-16
DRAWN	吳碧珊	DATE	2012-03-16
FILE NO. D:\CAD\SVP564\5114010051_SVP564-1T-5P-PG_CA001A1			
ERP LINK:	5114010051		

	日昇電子股份有限公司 SUN RISE EXACT INDUSTRIAL CO.
TITLE CIRCULAR MALE RECEPTACLE, ONE THREAD TYPE, M16mm	
PART NO.	SVP564A-1T-5P-PG
REV.	A1