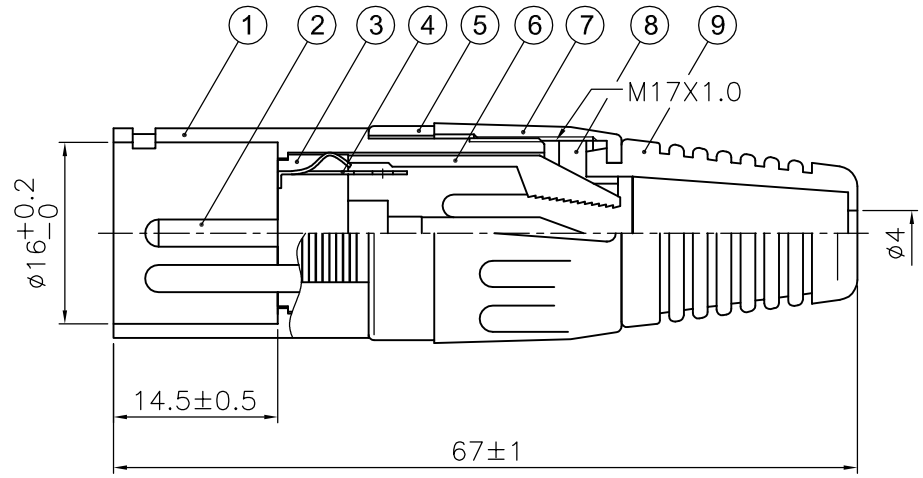
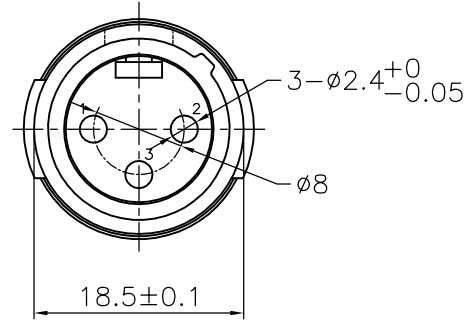


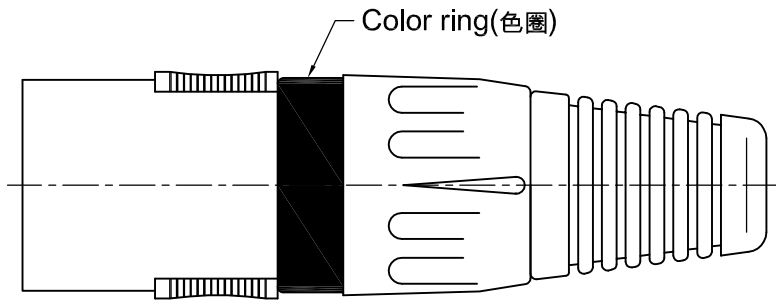
REVISIONS		
ISS	ZONE	DESCRIPTION\PER REQUEST\DATE
V	OPEN	對客戶公開圖紙
	OPEN	對供應商公開圖紙
	CLOSED	僅限廠內使用

F
E
D
C
B
A

台灣日昇電子股份有限公司
ISSUE APPROVED
 發行核可 本文件與簽核紙本正本相符



ERP LINK(品號)	Part No. (品名)	Color ring(色圈)
5111070273	SVP555S-N1-SR0	BLACK(黑色)
5111070274	SVP555S-N1-RD-SR0	RED(紅色)
5111070275	SVP555S-N1-BL-SR0	BLUE(藍色)
5111070276	SVP555S-N1-YL-SR0	YELLOW(黃色)
5111070277	SVP555S-N1-GN-SR0	GREEN(綠色)



5. COLOR RING
 Color List: BK / RD / BL / GN / YL
 (黑色/紅色/藍色/綠色/黃色)

Note(備註):
 1. 品名-SR0為外銷自動包裝機包裝袋

9	尾套(BOOT)	PVC	黑色(BLACK)	1	1601110073
8	T型圈(T-RING)	PP		1	
7	螺套(CAP)	PA	黑色(BLACK)	1	
6	夾線爪(CHUCK)	PA	黑色(BLACK)	1	
5	色圈(COLOR RING)	ABS	SEE COLOR LIST	1	
4	端子(TERMINAL)	H62	鍍銀(SILVER)	1	
3	塑粒(INSULATOR)	PBT	黑色(BLACK)	1	
2	插針(PIN)	H59-1	鍍銀(SILVER)	3	
1	鋅殼(DIE-CAST SHELL)	ZZnAL4-1	鍍鎳(NICKEL)	1	
NO.	DESCRIPTION	MATERIAL	FINISH	Q'TY	DRAWING NO.

DIMENSIONS ARE IN MILLIMETERS		APPROVED <i>蘇碧珊</i> DATE 2019-10-07
UNLESS OTHERWISE SPECIFIED TOLERANCES		CHECKED <i>蘇碧珊</i> DATE
ANGLES = ±5°		DRAWN 吳碧珊 DATE 2019-10-07
UP TO 6 = ±0.2		FILE NO. D:\CAD\SVP555\5111070273_
6-40 = ±0.4		SVP555S-N1-SR0_CA001A1
40-120 = ±0.6		ERP LINK: 5111070273
120-315 = ±1		
ABOVE 315 = ±1.6		
THIRD_ANGLE	$\oplus \ominus$	
SCALE	1.5/1	

	日昇電子股份有限公司 SUN RISE EXACT INDUSTRIAL CO.	
	TITLE 3P XLR MALE CONNECTOR	
PART NO.	SVP555S-N1-SR0	REV. A1

F
E
D
C
B
A