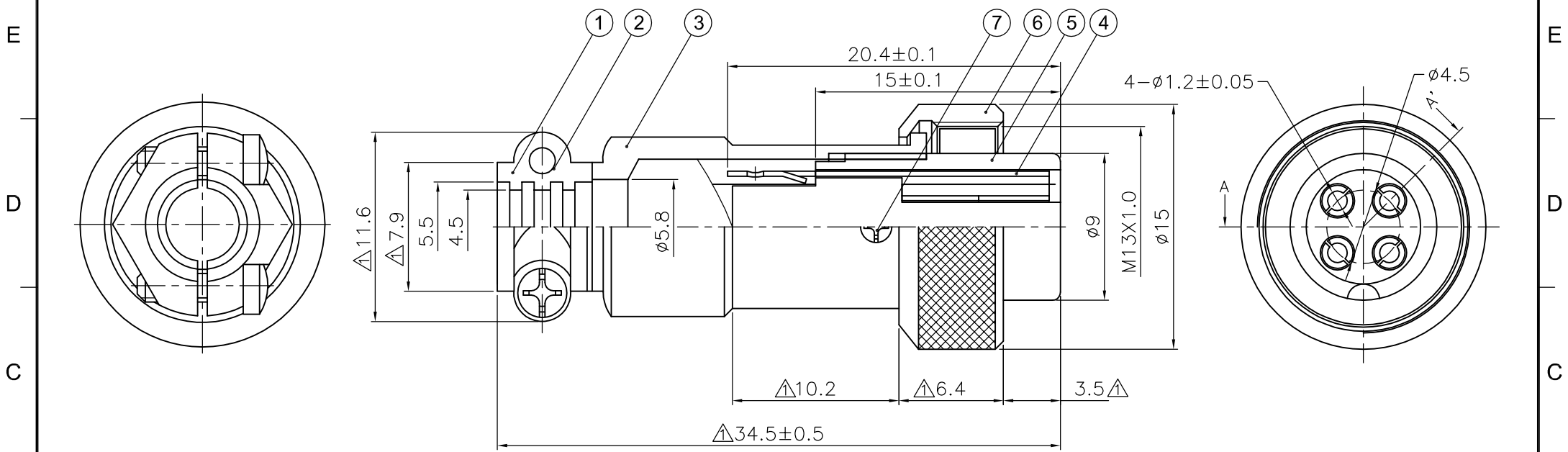


REVISIONS		
ISS	ZONE	DESCRIPTION\PER REQUEST\DATE
A3	ALL	更新圖框,修改△多處尺寸,刪除1.4跟1.8尺寸
V	OPEN	對客戶公開圖紙
	OPEN	對供應商公開圖紙
	CLOSED	僅限廠內使用

Electrical(電氣性能):	
Contact resistance(接觸電阻)	10M Ω max.
Insulator resistance(絕緣電阻)	1500M Ω min.
Current rating(耐電流)	2~4P/5A
Voltage proof(耐電壓)	125 VAC

台灣日昇電子股份有限公司
ISSUE APPROVED
 發行核可 本文件與簽核紙本正本相符



7	螺絲(SCREW) (#1-40UNCx3.5mm)	A3	鍍鎳(NICKEL)	1	1601140108
6	螺帽(NUT)	H59-1	鍍鎳(NICKEL)	1	
5	塑粒(INSULATOR)	BAKELITE	黑色(BLACK)	1	
4	插孔(FEMALE PIN)	PHOSPHOR BRONZE	鍍銀(GOLD)	4	
3	頭外殼(HOUSING)	ZZnAl4-0	鍍鎳(NICKEL)	1	
2	螺絲(SCREW) (M2x0.4x8mm)	A3	鍍鎳(NICKEL)	2	
1	壓線蓋(CABLE CLAMP)	ZZnAl4-0	鍍鎳(NICKEL)	1	
NO.	DESCRIPTION	MATERIAL	FINISH	Q'TY	DRAWING NO.

DIMENSIONS ARE IN MILLIMETERS		APPROVED <i>蘇碧珊</i> DATE 2020-07-01
UNLESS OTHERWISE SPECIFIED TOLERANCES		CHECKED DATE
ANGLES = ±5°		DRAWN 吳碧珊 DATE 2020-07-01
UP TO 6 = ±0.2		FILE NO. D:\CAD\SVP564\5114060043_
6-40 = ±0.4		SVP564M-12-4P_CA001A3
40-120 = ±0.6		ERP LINK: 5114060043
120-315 = ±1		
ABOVE 315 = ±1.6		
THIRD_ANGLE		
SCALE	3/1	

	日昇電子股份有限公司 SUN RISE EXACT INDUSTRIAL CO.
TITLE 4P CIRCULAR FEMALE PLUG, M12mm	
PART NO.	SVP564M-12-4P
REV.	A3