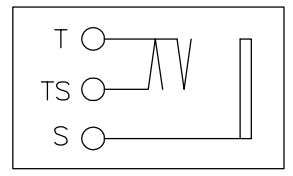
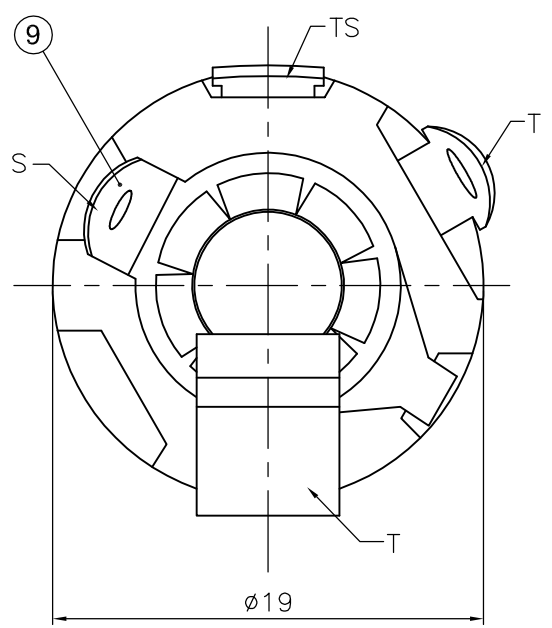
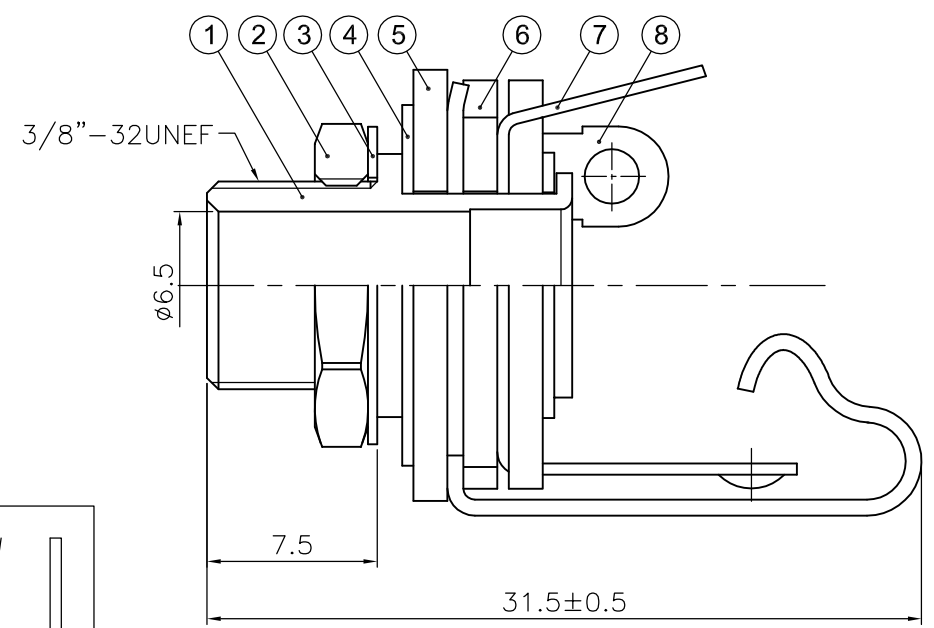


REVISIONS		
ISS	ZONE	DESCRIPTION\PER REQUEST\DATE
A3	ALL	更新圖框,更新所有尺寸
V	OPEN	對客戶公開圖紙
	OPEN	對供應商公開圖紙
	CLOSED	僅限廠內使用

台灣日昇電子股份有限公司
ISSUE APPROVED
 發行核可 本文件與簽核紙本正本相符



PIN DEFINE
(針腳定義)

9	S端子(T-TERMINAL)	H62	鍍鎳(NICKEL)	1	1601100041
8	T端子(T-TERMINAL)	PHOSPHOR BRONZE	鍍鎳(NICKEL)	1	
7	R端子(R-TERMINAL)	H62	鍍鎳(NICKEL)	1	
6	電木(BAKELITE)	BAKELITE		2	
5	電木(BAKELITE)	BAKELITE		1	
4	墊圈(WASHER)	A3	鍍鎳(NICKEL)	1	
3	墊圈(WASHER)	A3	鍍鎳(NICKEL)	1	
2	螺母(HEX. NUT)	ZZnAL4-0	鍍鎳(NICKEL)	1	
1	本體(BODY)	H59-1	鍍鎳(NICKEL)	1	
NO.	DESCRIPTION	MATERIAL	FINISH	Q'TY	DRAWING NO.

DIMENSIONS ARE IN MILLIMETERS
 UNLESS OTHERWISE SPECIFIED
 TOLERANCES
 ANGLES = ±5°
 UP TO 6 = ±0.2
 6-40 = ±0.4
 40-120 = ±0.6
 120-315 = ±1
 ABOVE 315 = ±1.6

THIRD_ANGLE $\frac{1}{2}$
 SCALE 3/1

APPROVED *吳碧珊* DATE 2019-12-10
 CHECKED DATE
 DRAWN 吳碧珊 DATE 2019-12-02
 FILE NO. D:\CAD\SI\5110010056_SJ210_CA001A3
 ERP LINK: 5110010056

SUNRISE 日昇電子股份有限公司
 SUN RISE EXACT INDUSTRIAL CO.

TITLE: 6.3mm JACK-CLOSED CIRCUIT, 2 CONDUCTOR, MONO

PART NO. SJ210 REV. A3