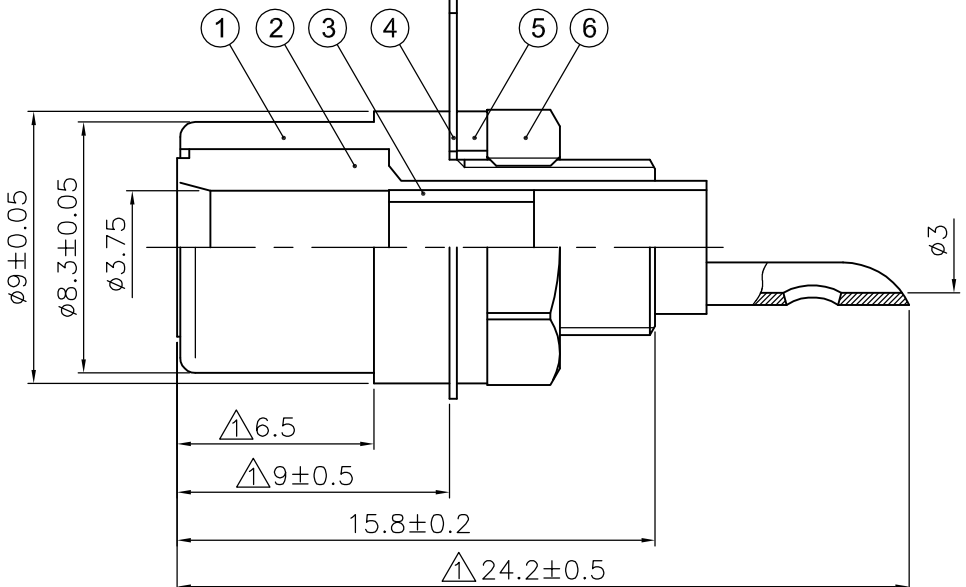
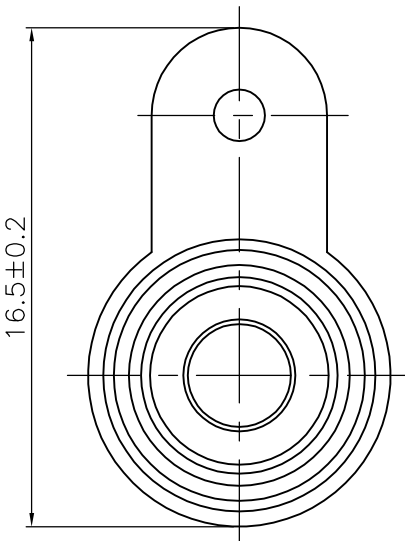
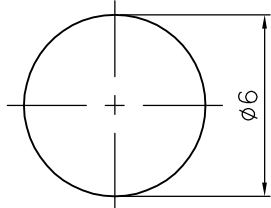


REVISIONS		
ISS	ZONE	DESCRIPTION\PER REQUEST\DATE
A3	B-1	表格整合相似產品品名,修改多處公差 $\Delta$
V	OPEN	對客戶公開圖紙
	OPEN	對供應商公開圖紙
	CLOSED	僅限廠內使用

台灣日昇電子股份有限公司  
**ISSUE APPROVED**  
 發行核可 本文件與簽核紙本正本相符



List:

ERP link(品號)	Part No.(品名)	Insulator(塑粒顏色)	Finish(電鍍)	半成品品號
5110010008	SJ214-BK	Black(黑色)	Nickel(鍍鎳)	1601100008
5110010012	SJ214-RD	Red(紅色)		1601100012
5110010013	SJ214-WH	White(白色)		1601100013
5110010014	SJ214-YL	Yellow(黃色)		1601100014
5110010067	SJ214G-BK	Black(黑色)	Gold(鍍金)	1601100046
5110010066	SJ214G-RD	Red(紅色)		1601100048
5110010117	SJ214G-GN	Green(綠色)		1601100047

Notes(備註):

- Sleek in appearance, burr in periphery. (外表光滑, 無毛邊)
- Thread screwed in smoothly. (螺牙旋入順暢)
- It can match the male connector smoothly. (與公頭配插順暢)
- Good contact in electric testing. (通斷性能好)

NO.	DESCRIPTION	MATERIAL	FINISH	Q'TY	DRAWING NO.
6	螺母(NUT)	H59-1	see list	1	see list
5	墊片(WASHER)	STEEL		1	
4	端子(TERMINAL)	H62		1	
3	插孔(FEMALE PIN)	H65		1	
2	塑粒(INSULATOR)	ABS		1	
1	銅座(BRASS BASE)	H59-1		1	

DIMENSIONS ARE IN MILLIMETERS		APPROVED <i>蘇碧珊</i> DATE 2023-08-03
UNLESS OTHERWISE SPECIFIED TOLERANCES		CHECKED DATE
ANGLES = $\pm 5^\circ$		DRAWN 吳碧珊 DATE 2023-08-03
UP TO 6 = $\pm 0.2$		FILE NO. D:\CAD\SI\5110010008_SJ214-BK_CA001A3
6-40 = $\pm 0.4$		
40-120 = $\pm 0.6$		
120-315 = $\pm 1$		
ABOVE 315 = $\pm 1.6$		
THIRD_ANGLE	$\oplus \ominus$	ERP LINK: 5110010008
SCALE	4/1	

日昇電子股份有限公司 SUN RISE EXACT INDUSTRIAL CO.		TITLE	
		RCA CHASSIS MOUNT JACK	
PART NO.	SJ214-BK	REV.	A3