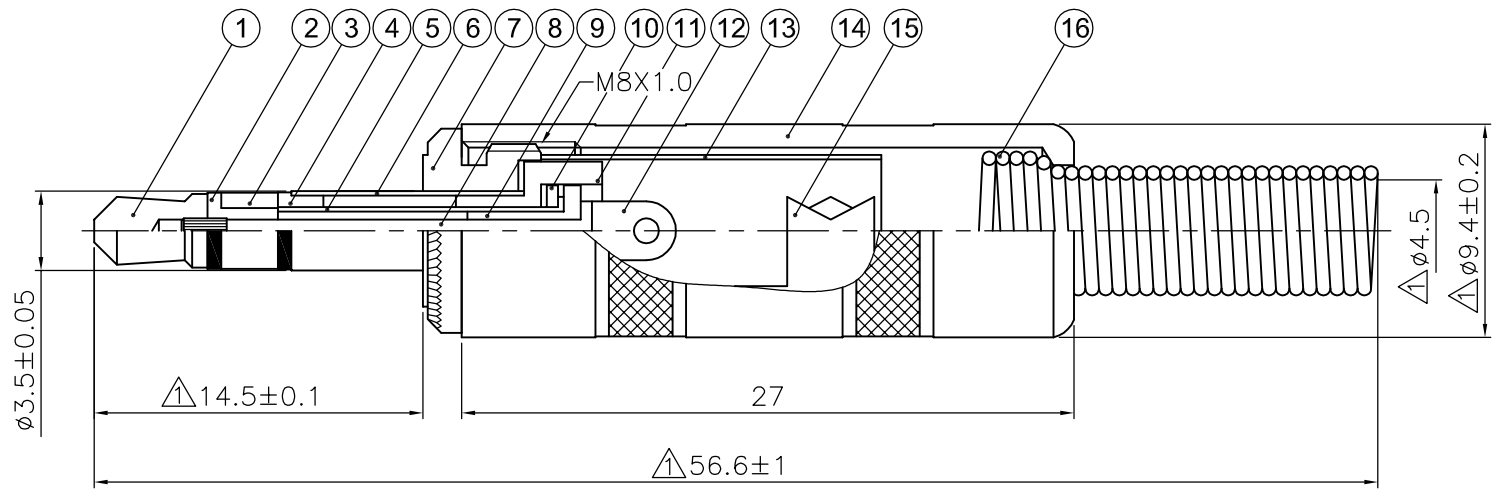


REVISIONS		
ISS	ZONE	DESCRIPTION\PER REQUEST\DATE
A2	ALL	更新圖框,修改品號,修改多處尺寸 ▲
V	OPEN	對客戶公開圖紙
	OPEN	對供應商公開圖紙
	CLOSED	僅限廠內使用

台灣日昇電子股份有限公司
ISSUE APPROVED
 發行核可 本文件與簽核紙本正本相符

F
E
D
C
B
A



16	彈簧 (SPRING)	70# STEEL	鍍鎳 (NICKEL)	1	1601070018
15	S端子 (S-TERMINAL)	H62	鍍鎳 (NICKEL)	1	
14	銅殼 (BRASS SHELL)	H59-1	鍍鎳 (NICKEL)	1	
13	塑料套 (PLASTIC COVER)	P.P.		1	
12	T端子 (T-TERMINAL)	H62	鍍鎳 (NICKEL)	1	
11	塑粒 (INSULATOR)	ABS		1	
10	R端子 (R-TERMINAL)	H62	鍍鎳 (NICKEL)	1	
9	塑粒 (INSULATOR)	ABS		1	
8	鐵釘 (BOLT)	A3	鍍鎳 (NICKEL)	1	
7	銅座 (BRASS BASE)	H59-1	鍍鎳 (NICKEL)	1	
6	銅管 (SLEEVE)	H62	鍍鎳 (NICKEL)	1	
5	銅管 (SLEEVE)	H62		1	
4	塑粒 (INSULATOR)	ABS	黑色 (BLACK)	1	
3	中套 (MEDIUM COVER)	H62	鍍鎳 (NICKEL)	1	
2	塑粒 (INSULATOR)	ABS	黑色 (BLACK)	1	
1	珠頭 (TIP)	H59-1	鍍鎳 (NICKEL)	1	
NO.	DESCRIPTION	MATERIAL	FINISH	Q'TY	DRAWING NO.

DIMENSIONS ARE IN MILLIMETERS		APPROVED <i>黃其哲</i> DATE 2019-12-10
UNLESS OTHERWISE SPECIFIED TOLERANCES		CHECKED DATE
ANGLES = ±5°		DRAWN 吳碧珊 DATE 2016-09-19
UP TO 6 = ±0.2		
6-40 = ±0.4		
40-120 = ±0.6		
120-315 = ±1		FILE NO. D:\CAD\SP110\5107010016_SP110A-1-M_CA001A2
ABOVE 315 = ±1.6		ERP LINK: 5107010016
THIRD_ANGLE	⊕ ⊖	
SCALE	3/1	

	日昇電子股份有限公司 SUN RISE EXACT INDUSTRIAL CO.	TITLE 3.5mm STEREO PLUG W/HANDLE, OD: 4mm
	PART NO. SP110A-1-M	

F
E
D
C
B
A