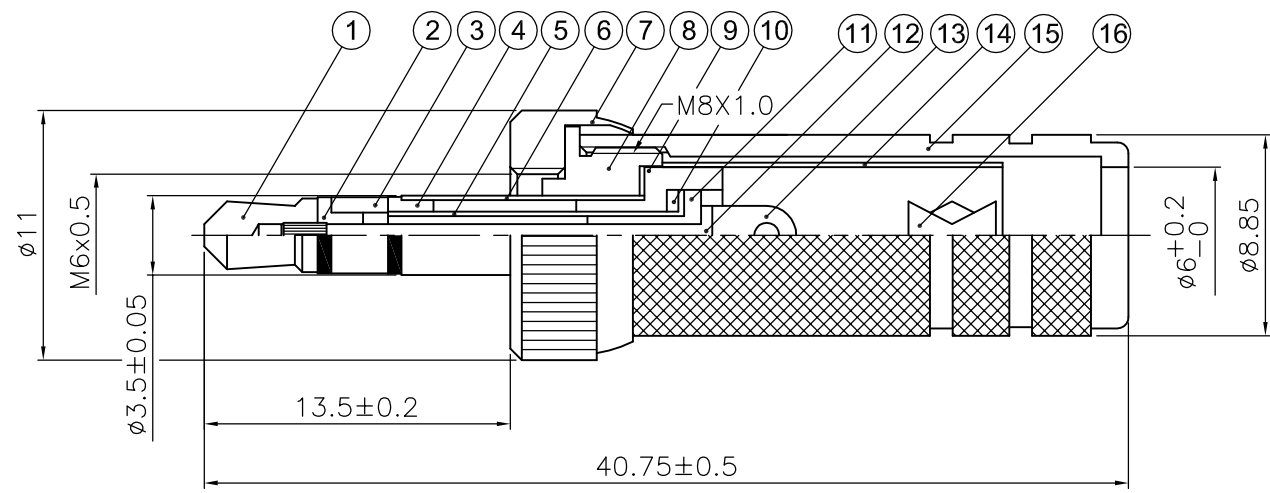


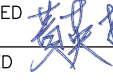

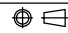
REVISIONS		
ISS	ZONE	DESCRIPTION\PER REQUEST\DATE
A4	D-5	外觀更新
F	V	對客戶公開圖紙
	OPEN	對供應商公開圖紙
	CLOSED	僅限廠內使用

Technique request(技術要求):
 1. Sleek in appearance, burr in periphery
 (外表光滑, 無毛邊)
 2. The tip is not allowed looseness
 (珠頭不可鬆動)
 3. Thread screwed in smoothly
 (螺牙旋入順暢)

台灣日昇電子股份有限公司
ISSUE APPROVED
 發行核可 本文件與簽核
 紙本正本相符



16	S端子(S-TERMINAL)	H62	鍍鎳(NICKEL)	1	1601070019
15	銅殼(BRASS SHELL)	H59-1	鍍鎳(NICKEL)	1	
14	塑管(PLASTIC PIPE)	P.P.		1	
13	T端子(T-TERMINAL)	H62	鍍鎳(NICKEL)	1	
12	鐵釘(BOLT)	Q235	鍍鎳(NICKEL)	1	
11	塑粒(INSULATOR)	ABS		1	
10	R端子(R-TERMINAL)	H62	鍍鎳(NICKEL)	1	
9	塑粒(INSULATOR)	ABS		1	
8	銅座(BRASS BASE)	H59-1	鍍鎳(NICKEL)	1	
7	螺套(CAP)	H59-1	鍍鎳(NICKEL)	1	
6	銅管(SLEEVE)	H62	鍍鎳(NICKEL)	1	
5	銅管(SLEEVE)	H62		1	
4	塑粒(INSULATOR)	ABS	黑色(BLACK)	1	
3	中套(MEDIUM COVER)	H62	鍍鎳(NICKEL)	1	
2	塑粒(INSULATOR)	ABS	黑色(BLACK)	1	
1	珠頭(TIP)	H59-1	鍍鎳(NICKEL)	1	
NO.	DESCRIPTION	MATERIAL	FINISH	Q'TY	DRAWING NO.

DIMENSIONS ARE IN MILLIMETERS		APPROVED  DATE 2020-06-18
UNLESS OTHERWISE SPECIFIED TOLERANCES		CHECKED  DATE
ANGLES = ±5°		DRAWN 吳碧珊 DATE 2020-06-18
UP TO 6 = ±0.2		FILE NO. D:\CAD\SP110\5107010018_
6-40 = ±0.4		SP110AM-D_CA001A4
40-120 = ±0.6		
120-315 = ±1		
ABOVE 315 = ±1.6		
THIRD_ANGLE		ERP LINK: 5107010018
SCALE	3/1	

	日昇電子股份有限公司 SUN RISE EXACT INDUSTRIAL CO.	
	TITLE 3.5mm STEREO LOCK PHONE PLUG OD:6mm	
PART NO.	SP110AM-D	REV. A4