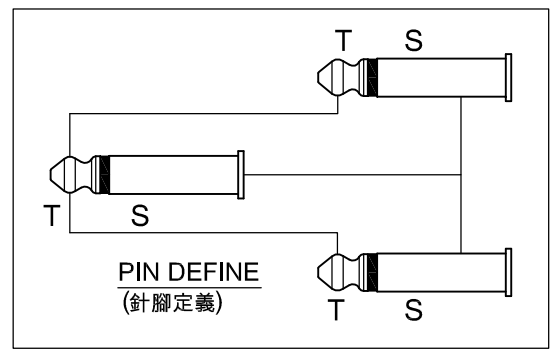
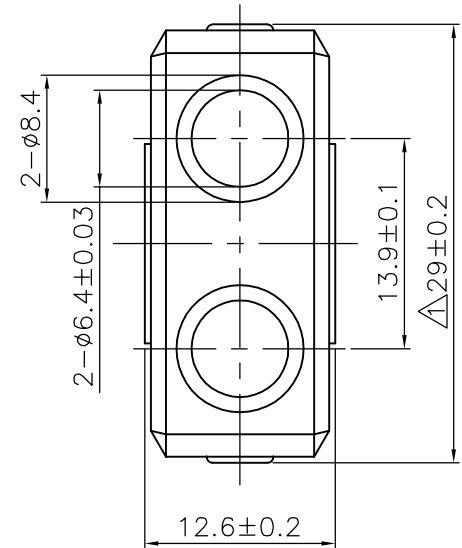
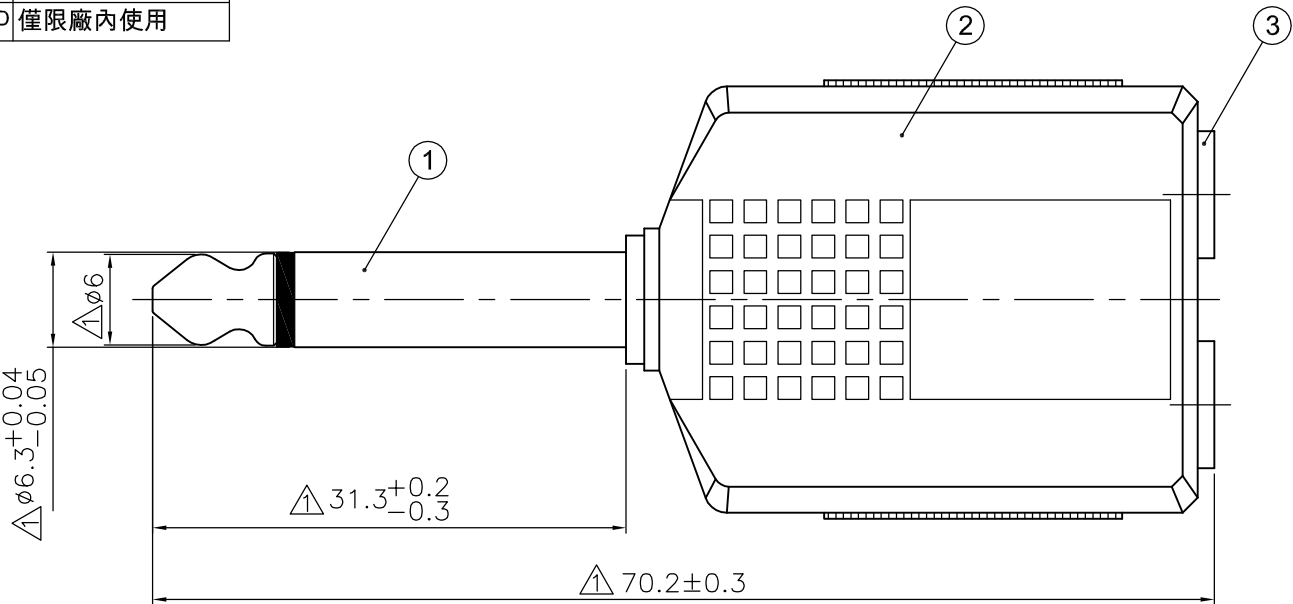


REVISIONS		
ISS	ZONE	DESCRIPTION\PER REQUEST\DATE
A2	ALL	更新多處尺寸△;新增品名SA160-SR0
	OPEN	對客戶公開圖紙
	OPEN	對供應商公開圖紙
	CLOSED	僅限廠內使用

F
E
D
C
B
A



ERP link(品號)	Part No.(品名)
5109010018	SA160
5109010142	SA160-SR0

品名-SR0為外銷自動包裝機包裝袋

台灣日昇電子股份有限公司
ISSUE APPROVED
 發行核可 本文件與簽核紙本正本相符

3	銅殼(BRASS SHELL)	H59-1	鍍鎳(NICKEL)	2	1601090018
2	塑殼(PLASTIC SHELL)	PBT	黑色(BLACK)	1	
1	6.3mm MONO PLUG		鍍鎳(NICKEL)	1	
NO.	DESCRIPTION	MATERIAL	FINISH	Q'TY	DRAWING NO.

DIMENSIONS ARE IN MILLIMETERS		APPROVED <i>吳碧珊</i> DATE 2021-12-24
UNLESS OTHERWISE SPECIFIED TOLERANCES		CHECKED DATE
ANGLES = ±5°		DRAWN 吳碧珊 DATE 2021-12-22
UP TO 6 = ±0.2		FILE NO. D:\CAD\ISA\5109010018_ SA160_CA001A2
6-40 = ±0.4		ERP LINK: 5109010018
40-120 = ±0.6		
120-315 = ±1		
ABOVE 315 = ±1.6		
THIRD_ANGLE		
SCALE	2/1	

日昇電子股份有限公司 SUN RISE EXACT INDUSTRIAL CO.	
TITLE 6.3mm MONO PLUG TO 2* 6.3mm MONO JACK ADAPTOR, MOLDED TYPE	
PART NO. SA160	REV. A2

F
E
D
C
B
A