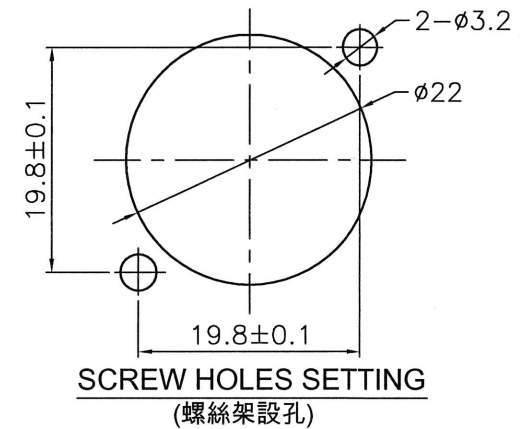
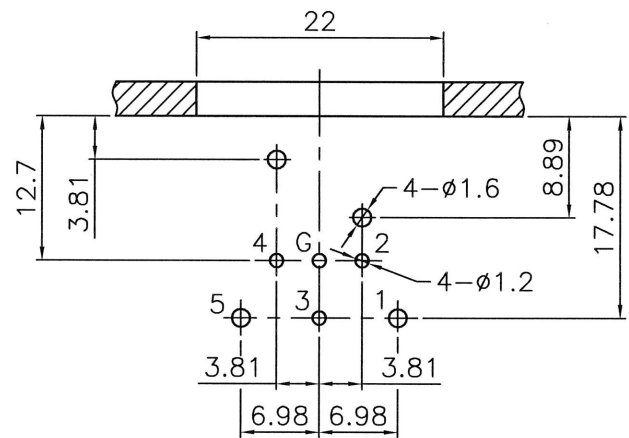
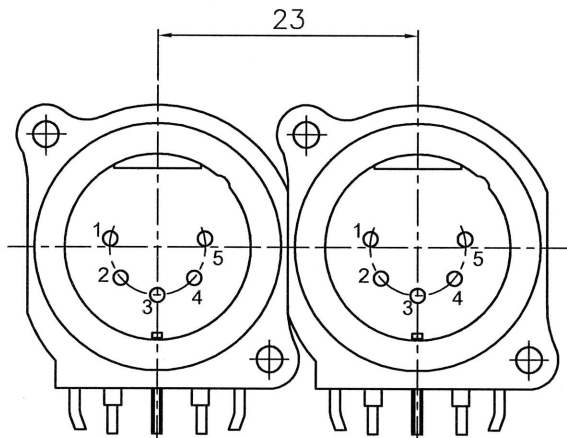
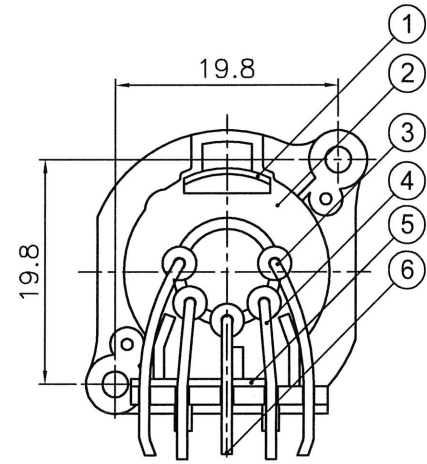
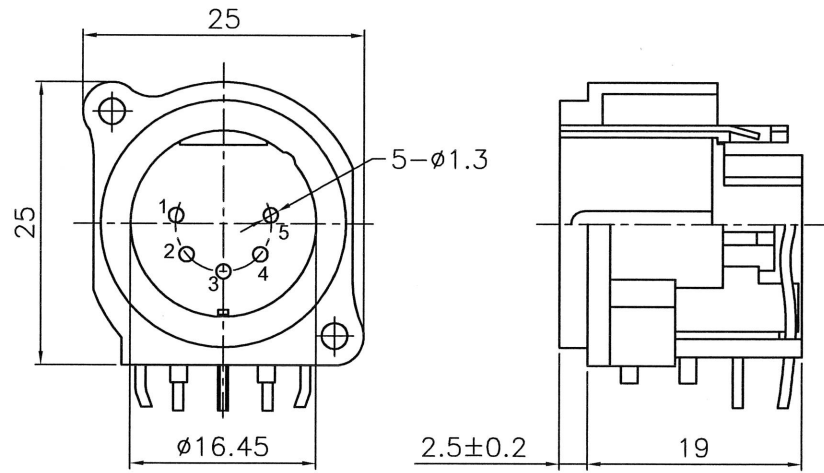


REVISIONS		
ISS	ZONE	DESCRIPTION\PER REQUEST\DATE
A2	D-4	2.7修改為2.5±0.2
V	OPEN	對客戶公開圖紙
	OPEN	對供應商公開圖紙
	CLOSED	僅限廠內使用

台灣日昇電子股份有限公司
ISSUE APPROVED
 發行核可 本文件與簽核紙本正本相符



NO.	DESCRIPTION	MATERIAL	FINISH	Q'TY	DRAWING NO.
6	插針3 (PIN-3)	H59-1	鍍金(GOLD)	1	1601110191
5	接地片(GROUND)	H62	鍍鎳(NICKEL)	1	
4	插針2&4 (PIN-2&4)	H59-1	鍍金(GOLD)	2	
3	插針1&5 (PIN-1&5)	H59-1	鍍金(GOLD)	2	
2	本體(BODY)	PA	黑色(BLACK)	1	
1	卡扣(LOCK SLICE)	COLD-ROLLED	鍍鎳(NICKEL)	1	

DIMENSIONS ARE IN MILLIMETERS		APPROVED <i>黃文彬</i> DATE 2017-02-06
UNLESS OTHERWISE SPECIFIED TOLERANCES		CHECKED DATE
ANGLES = ±5°		DRAWN 吳碧珊 DATE 2017-01-19
UP TO 6 = ±0.2		
6-40 = ±0.4		FILE NO. D:\CAD\SVP555\5111060016_SVP555PN-R-5P_CA001A2
40-120 = ±0.6		
120-315 = ±1		
ABOVE 315 = ±1.6		ERP LINK: 5111060016
THIRD_ANGLE		
SCALE	1.5/1	

日昇電子股份有限公司 SUN RISE EXACT INDUSTRIAL CO.		TITLE	
		5P XLR MALE CHASSIS CONNECTOR, PLASTIC (RIGHT-ANGLE PIN)	
PART NO. SVP555PN-R-5P		REV.	A2