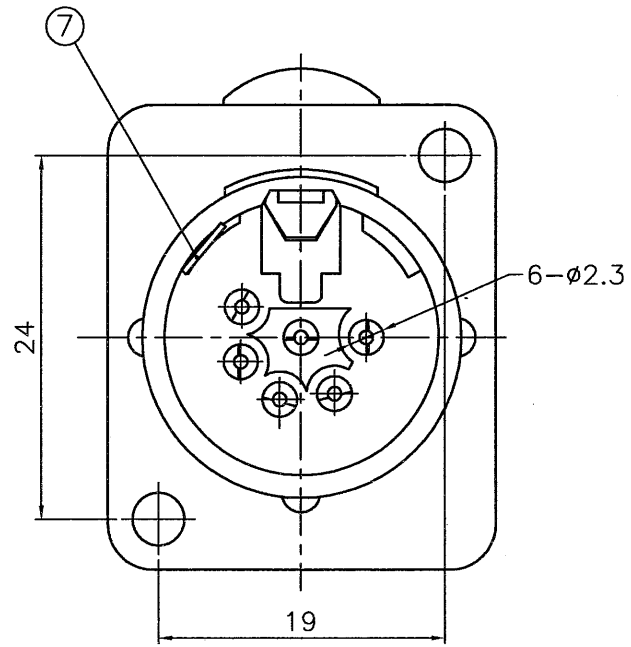
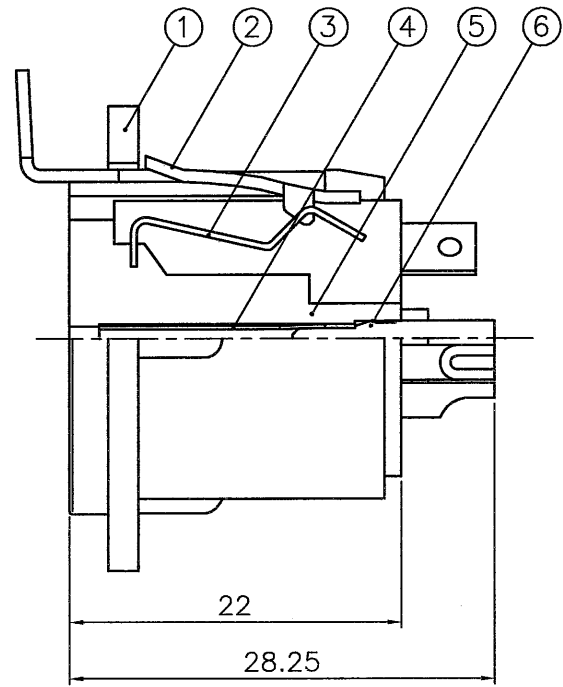
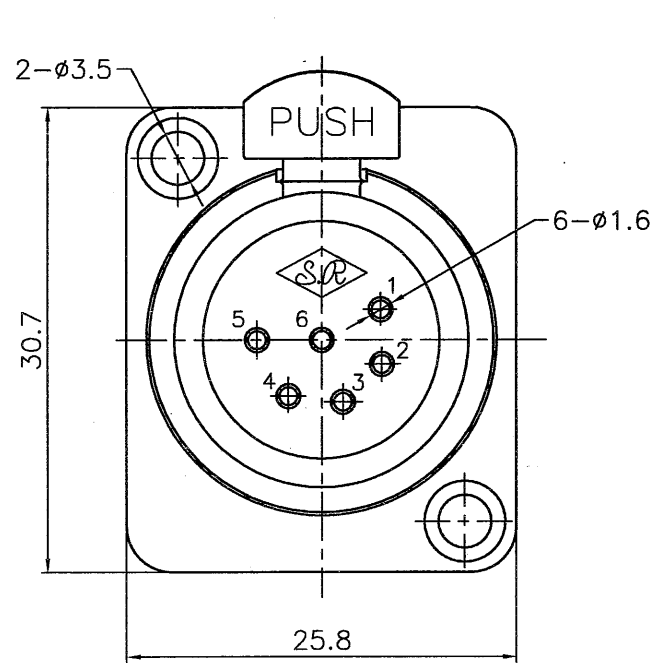


REVISIONS		
ISS	ZONE	DESCRIPTION\PER REQUEST\DATE
A2	ALL	更新圖框
V	OPEN	對客戶公開圖紙
	OPEN	對供應商公開圖紙
	CLOSED	僅限廠內使用

台灣日昇電子股份有限公司
ISSUE APPROED
 發行核可
本文件與圖紙
紙本正本相符




NO.	DESCRIPTION	MATERIAL	FINISH	Q'TY	DRAWING NO.
7	端子 (TERMINAL)	H62	鍍銀 (SILVER)	1	
6	插針 (PIN)	H59-1	鍍銀 (SILVER)	6	
5	塑座 (PLASTIC BASE)	PA	黑色 (BLACK)	1	
4	插孔 (FEMALE PIN)	H59-1	鍍銀 (SILVER)	6	
3	鋼片 (LATCH)	65Mn	黑色 (BLACK)	1	
2	推杆 (PUSH POST)	H62	鍍鎳 (NICKEL)	1	
1	鋅殼 (DIE-ZINC SHELL)	ZZnAL4-0	鍍鎳 (NICKEL)	1	

DIMENSIONS ARE IN MILLIMETERS
 UNLESS OTHERWISE SPECIFIED
 TOLERANCES
 ANGLES = ±5°
 UP TO 6 = ±0.2
 6-40 = ±0.4
 40-120 = ±0.6
 120-315 = ±1
 ABOVE 315 = ±1.6

THIRD_ANGLE: $\frac{\text{A}}{\text{B}}$
 SCALE: 2/1

APPROVED: *Amk* DATE: 2011-12-01
 CHECKED: DATE: 2011-12-01
 DRAWN: *Sandy* DATE: 2011-12-01
 FILE NO. D:\CAD\SVP561\
 5112020112_SVP561N-6P_CAD001A2

ERP LINK: 5112020112

 日昇電子股份有限公司
SUN RISE EXACT INDUSTRIAL CO.

TITLE: 6P XLR CHASSIS CONNECTOR, FEMALE

PART NO. SVP561N-6P REV. A2