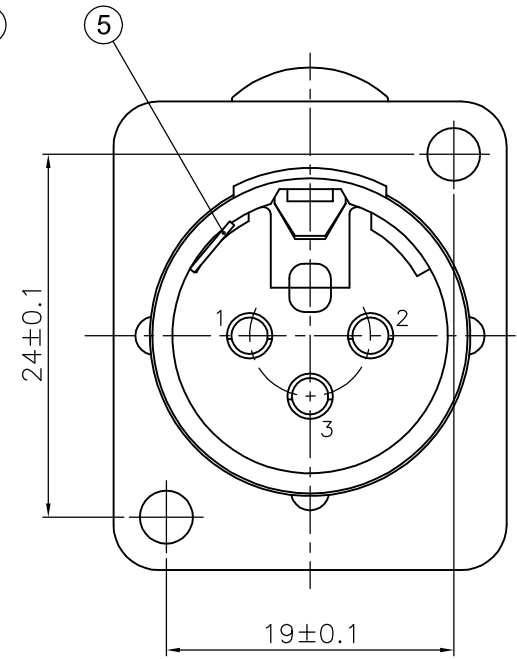
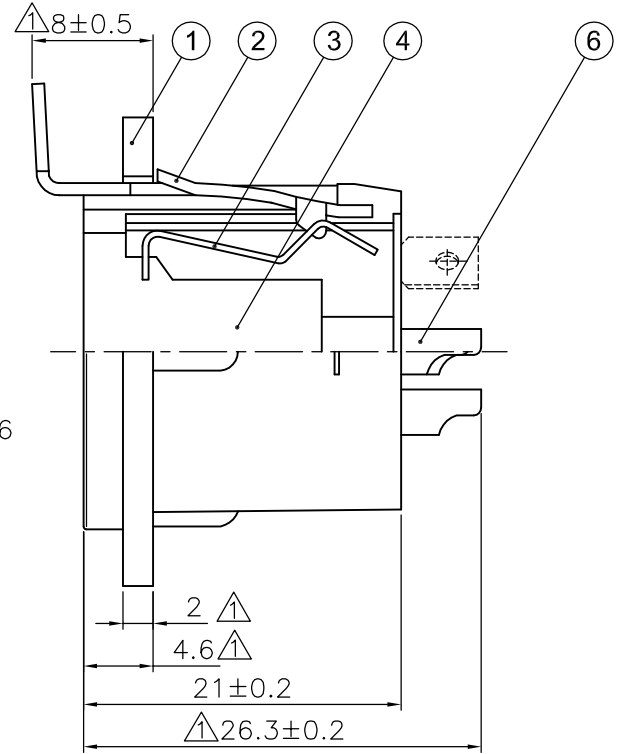
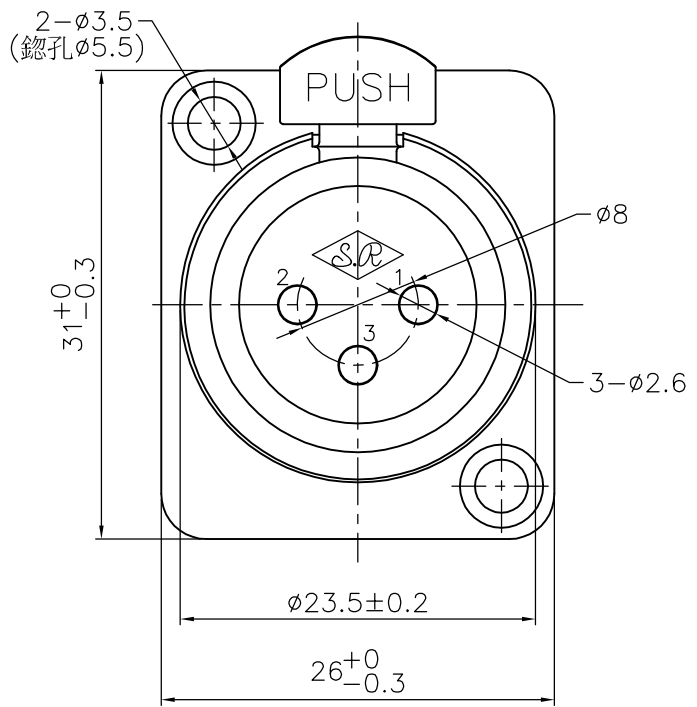


REVISIONS		
ISS	ZONE	DESCRIPTION\PER REQUEST\DATE
A10	C-2	新增並修改尺寸△,增加備註1及品名SVP561N-SR0
V	OPEN	對客戶公開圖紙
	OPEN	對供應商公開圖紙
	CLOSED	僅限廠內使用

**Note (備註):**  
 1. Pin No.1 solder side compare with other pin solder side has less than 1.0±0.1  
 (1號插針的焊杯端面比其他插針的焊杯端面低1.0±0.1)

台灣日昇電子股份有限公司  
**ISSUE APPROVED**  
 發行核可  
本文件與簽核紙本正本相符



ERP link(品號)	Part No.(品名)
5112020007	SVP561N (鍍鎳) (Nickel plated)
5112020139	SVP561N-SR0 (鍍鎳) (Nickel plated)
5112020018	SVP561N-BK (鍍電泳黑) (Electro-coating black plated)

6	插孔(FEMALE PIN)	PHOSPHOR BRONZE	鍍銀 (SILVER)	3	
5	端子(TERMINAL)	H62	鍍錫 (TIN)	1	
4	塑粒(INSULATOR)	PA	黑色 (BLACK)	1	
3	鋼片(LATCH)	65Mn	電泳黑(Electro-coating black)	1	
2	推杆 (PUSH BUTTON)	65Mn	鍍鎳(NICKEL)	1	
1	鋅殼 (DIE-ZINC SHELL)	ZZnAl4-0	電泳黑(Electro-coating black) 鍍鎳(NICKEL)	1	
NO.	DESCRIPTION	MATERIAL	FINISH	Q'TY	DRAWING NO.

品名-SR0為外銷自動包裝機包裝袋

DIMENSIONS ARE IN MILLIMETERS		APPROVED <i>黃碧珊</i> DATE 2021-12-24
UNLESS OTHERWISE SPECIFIED TOLERANCES		CHECKED DATE
ANGLES = ±5°		DRAWN 吳碧珊 DATE 2021-12-22
UP TO 6 = ±0.2		FILE NO. D:\CAD\SVP561\5112020007_SVP561N_CA001A10
6-40 = ±0.4		ERP LINK: 5112020007
40-120 = ±0.6		
120-315 = ±1		
ABOVE 315 = ±1.6		
THIRD_ANGLE		
SCALE	2/1	

	<b>日昇電子股份有限公司</b> SUN RISE EXACT INDUSTRIAL CO.
TITLE XLR FEMALE CHASSIS CONNECTOR,	
PART NO.	SVP561N
REV.	A10

F  
E  
D  
C  
B  
A

F  
E  
D  
C  
B  
A