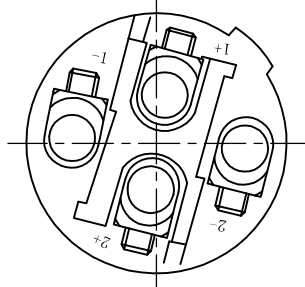
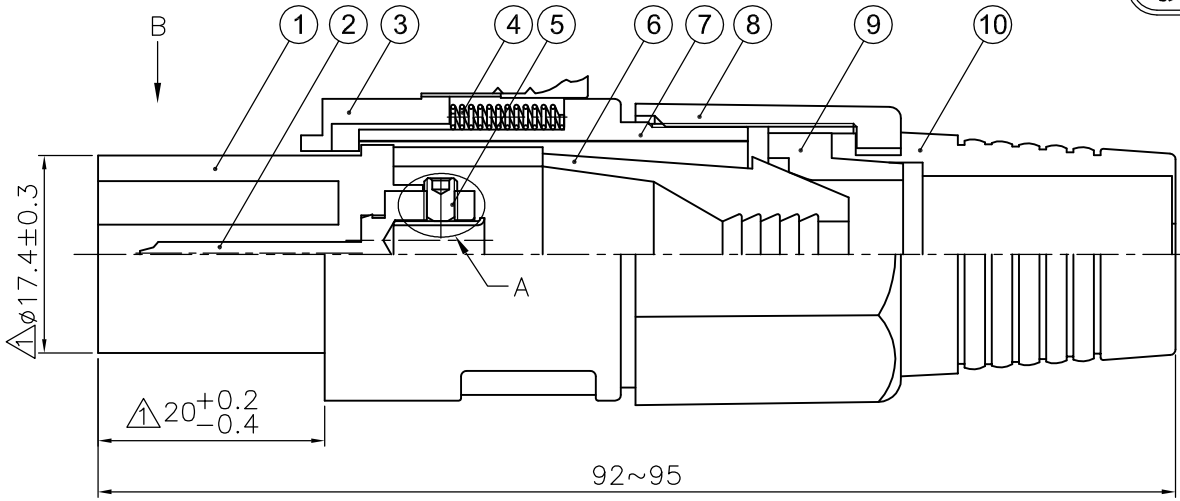
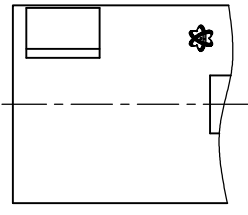
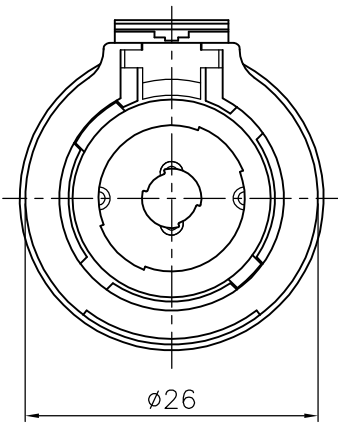


REVISIONS		
ISS	ZONE	DESCRIPTION\PER REQUEST\DATE
A4	ALL	修改多處尺寸及公差 Δ, 刪除夾線爪示意圖
V	OPEN	對客戶公開圖紙
	OPEN	對供應商公開圖紙
	CLOSED	僅限廠內使用

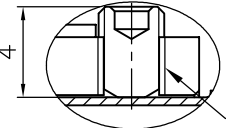
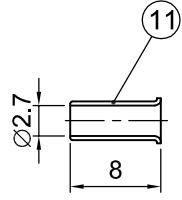
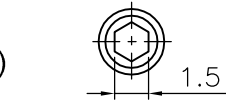
台灣日昇電子股份有限公司
ISSUE APPROVED
 發行核可 本文件與簽核紙本正本相符

F
E
D
C
B
A



內六角螺絲
(Inner hexagon screw)

A DETAIL (1/2)
(A詳圖)



The diagram for locking of screw and sleeve
(螺絲與銅管對鎖示意圖)

Notes(備註):

- Small claw suitable for cable OD. 6mm~11mm (小夾線爪適用線徑6~11mm)
- Big claw suitable for cable OD. 9.5mm~15mm (大夾線爪適用線徑9.5~15mm)

11	銅管(SLEEVE)	H62	鍍金(GOLD)	4	
10	T型圈(T-RING)	PP	黑色(WHITE)	1	
9	尾套(BOOT)	PVC	黑色(BLACK)	1	
8	螺套(CAP)	PA	藍色(BLUE)	1	
7	塑殼 (PLASTIC SHELL)	PA	黑色(BLACK)	1	
6	夾線爪(CHUCK)	PA	黑/白(BK/WH)	1	
5	內六角螺絲(INNER HEXAGON SCREW)	A3	鍍黑(BLACK)	4	
4	彈簧(SPRING)	70# STEEL	鍍鎳(NICKEL)	1	
3	按鍵(PUSH BUTTON)	ZZnAL4-1	鍍鎳(NICKEL)	1	
2	插針(PIN)	ZZnAL4-1	鍍銀(SILVER)	4	
1	本體(BODY)	PA	黑色(BLACK)	1	
NO.	DESCRIPTION	MATERIAL	FINISH	Q'TY	DRAWING NO.

DIMENSIONS ARE IN MILLIMETERS		APPROVED	DATE
UNLESS OTHERWISE SPECIFIED TOLERANCES		2023-09-05	
ANGLES = ±5°		CHECKED	DATE
UP TO 6 = ±0.2			
6-40 = ±0.4		DRAWN	DATE
40-120 = ±0.6		吳碧珊	2023-09-05
120-315 = ±1		FILE NO.	D:\CAD\SVP其他系列2\5115010023_
ABOVE 315 = ±1.6		SVP562_CA001A4	
THIRD_ANGLE	☉ ☐	ERP LINK:	5115010023
SCALE	1.5/1		

	日昇電子股份有限公司	TITLE	4PIN FEMALE SPEAKER CONNECTOR
	SUN RISE EXACT INDUSTRIAL CO.		
PART NO.	SVP562	REV.	A4

F
E
D
C
B
A