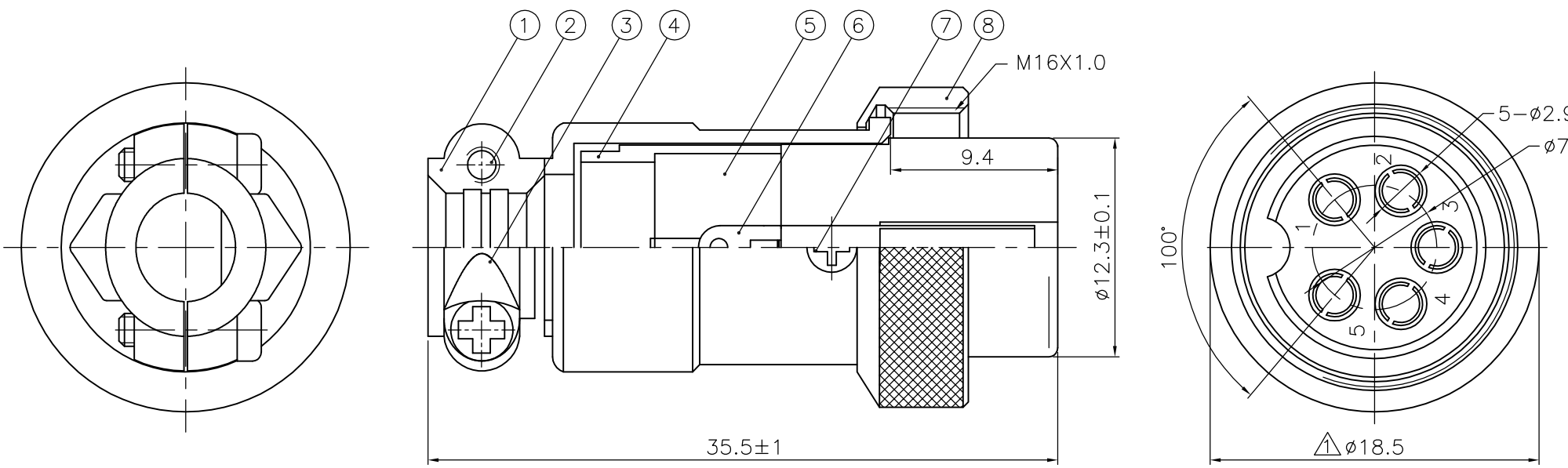


REVISIONS		
ISS	ZONE	DESCRIPTION\PER REQUEST\DATE
A2	C-4	35.5±0.2修改公差為35.5±1
V	OPEN	對客戶公開圖紙
	OPEN	對供應商公開圖紙
	CLOSED	僅限廠內使用

Electrical(電氣性能):	
Contact resistance(接觸電阻)	10mΩ max
Insulator resistance(絕緣電阻)	1000MΩ min.
Current rating(耐電流)	4~5P/5A
Voltage proof(耐電壓)	125 VAC

台灣日昇電子股份有限公司
ISSUE APPROVED
 發行核可
本文件與簽核紙本正本相符

F
E
D
C
B
A



List:

ERP link(品號)	Part No.(品名)	Pin plating(插孔電鍍)	半成品品號
5114060003	SVP564M-5P	Nickel(鍍鎳)	1601140007
5114060057	SVP564M-5P-PG	Gold(鍍金)	1601140095

NO.	DESCRIPTION	MATERIAL	FINISH	Q'TY	DRAWING NO.
8	連接螺帽(NUT)	H59-1	鍍鎳(NICKEL)	1	
7	螺絲(SCREW) #1-40UNCX3.5mm	A3	鍍鎳(NICKEL)	1	
6	插孔(FEMALE PIN)	PHOSPHOR BRONZE	see list	5	
5	塑粒(INSULATOR)	BAKELITE	黑色(BLACK)	1	
4	塑套(PLASTIC TUBE)	PP		1	
3	壓線蓋 (CABLE CLAMP)	ZZnAL14-1	鍍鎳(NICKEL)	1	
2	螺絲(SCREW) M2X0.4X8mm	A3	鍍鎳(NICKEL)	2	
1	頭外殼(HOUSING)	ZZnAL14-1	鍍鎳(NICKEL)	1	

DIMENSIONS ARE IN MILLIMETERS		APPROVED <i>吳碧珊</i> DATE 2023-08-04
UNLESS OTHERWISE SPECIFIED TOLERANCES		CHECKED DATE
ANGLES = ±5°		DRAWN 吳碧珊 DATE 2023-08-04
UP TO 6 = ±0.2		FILE NO. D:\CAD\5VP564\5114060003_SVP564M-5P_CA001A5
6-40 = ±0.4		
40-120 = ±0.6		
120-315 = ±1		
ABOVE 315 = ±1.6		
THIRD_ANGLE		ERP LINK: 5114060003
SCALE	3/1	

日昇電子股份有限公司 SUN RISE EXACT INDUSTRIAL CO.	
TITLE 5P CIRCULAR FEMALE PLUG, M16mm	
PART NO.	SVP564M-5P
REV.	A5

F
E
D
C
B
A