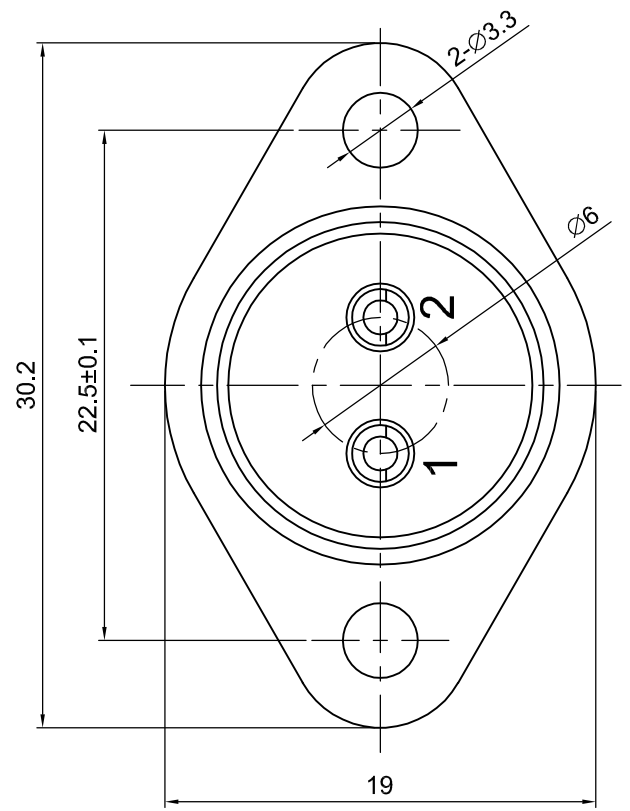
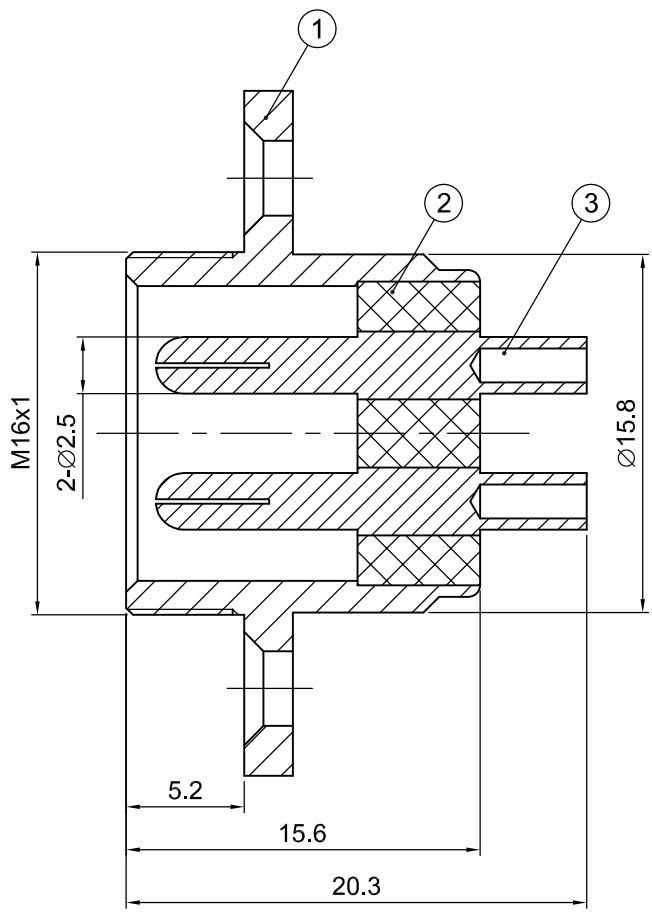


REVISIONS		
ISS	ZONE	DESCRIPTION\PER REQUEST\DATE
V	OPEN	對客戶公開圖紙
	OPEN	對供應商公開圖紙
	CLOSED	僅限廠內使用

台灣日昇電子股份有限公司  
**ISSUE APPROVED**  
 發行核可  
本文件與審核紙本正本相符

Electrical(電氣性能):	
Contact resistance(接觸電阻)	10 mohms max.
Insulator resistance(絕緣電阻)	1500 mohms min.
Current rating(耐電流)	3P/7A
Voltage proof(耐電壓)	1000AC.V

- Technique request(技術要求):
- Sleek in appearance, burr in periphery (外表光滑, 無毛邊)
  - It can match the female connector smoothly (與母頭配插順暢)
  - Thread screwed in smoothly (螺牙旋入順暢)
  - The body and the insulator assembly rivet fastening, can't loose. (本體與插針塑粒組合作件鉚合緊固, 不得鬆動)



NO.	DESCRIPTION	MATERIAL	FINISH	Q'TY	DRAWING NO.
3	插針(PIN)	H59-1	鍍鎳(NICKEL)	1	1601140022
2	塑粒(INSULATOR)	BAKELITE		1	
1	本體(BODY)	ZZnAl4-1	鍍鎳(NICKEL)	1	

DIMENSIONS ARE IN MILLIMETERS		APPROVED <i>吳碧珊</i> DATE 2023-06-06
UNLESS OTHERWISE SPECIFIED TOLERANCES		CHECKED DATE
ANGLES = ±5'		DRAWN 吳碧珊 DATE 2023-06-06
UP TO 6 = ±0.2		FILE NO. D:\CAD\SVP564\5114070001_
6-40 = ±0.4		SVP564D-2P_CA001A1
40-120 = ±0.6		THIRD_ANGLE
120-315 = ±1		ERP LINK: 5114070001
ABOVE 315 = ±1.6		SCALE 3/1

日昇電子股份有限公司 SUN RISE EXACT INDUSTRIAL CO.	
TITLE 2PIN CIRCULAR MALE RECEPTACLE, M16mm	
PART NO. SVP564D-2P	REV. A1